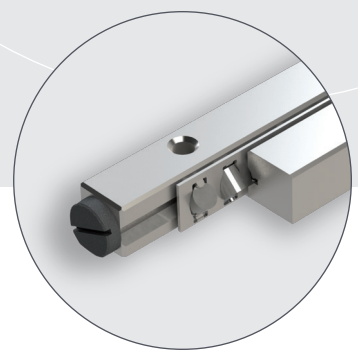
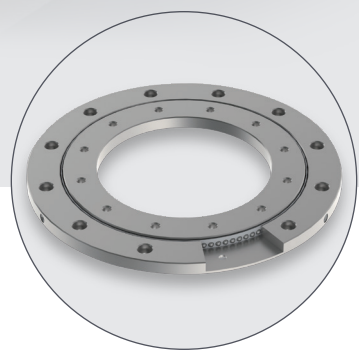
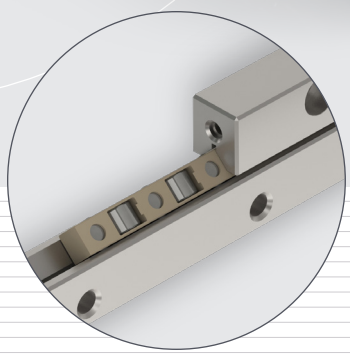
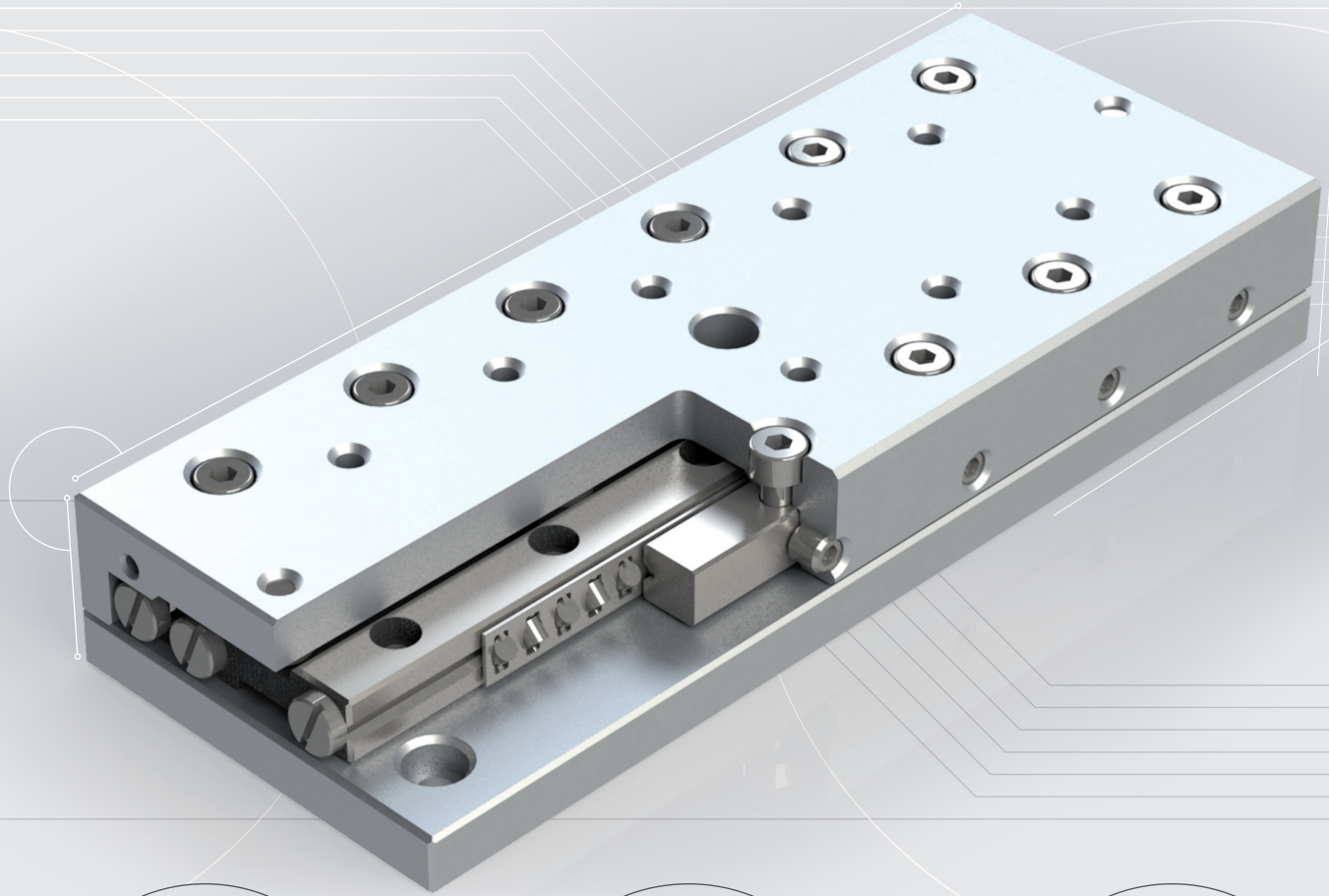


OVER
50
YEARS
of success



**Linear bearings RSDE-ACC
with anti-cage creep
technology**



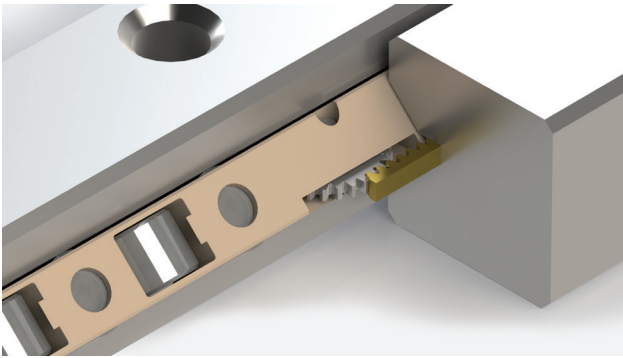
Zero cage creep

High acceleration (up to 15G)

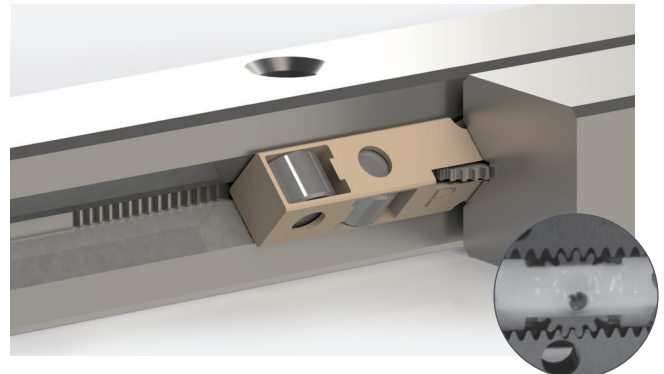
Compact & cost saving design

**Integrated in crossed roller bearing design
(All metal design)**

**Also available for stainless steel with integrated rack
machined by Electrical Chemical Machining often
called ECM (UHV compatible)**



ACC include a robust brass rack attached in the bottom of the groove.



ACCI anti-cage creep technology for stainless steel rails, made by ECM. Is on request available in selected rail types.

THE PROBLEM CREEPING OF THE CAGE

Shorter production times constantly push machine designers to reach higher speeds, decrease the size and weight of their designs, while increasing machine travel and positioning accuracy to its limits.

Cage creep can occur in non-recirculating linear bearing applications where vibrations, improper mounting, very high-acceleration and de-acceleration, inadequate tolerances on the mounting surfaces, uneven preloading or moment loading is present.

As the cage creeps out from original position there is an increase of friction, reduction of travel length and premature wear of the linear bearings. This shortens the lifetime and can lead to premature failures.

OUR SOLUTION = THE ACC-SOLUTION

Our engineers refreshed a superior solution for use in high-tech and extreme dynamic applications. The ACC solution has proven its ability for decades to prevent cage creep in the most demanding applications and under the most severe environment conditions. The ACC system is integrated in the design of the linear bearing without influencing the external boundary or mounting dimensions. This allows you to replace the bearings in existing problem applications with the ACC solution.

THE TEST RESULT PROVE

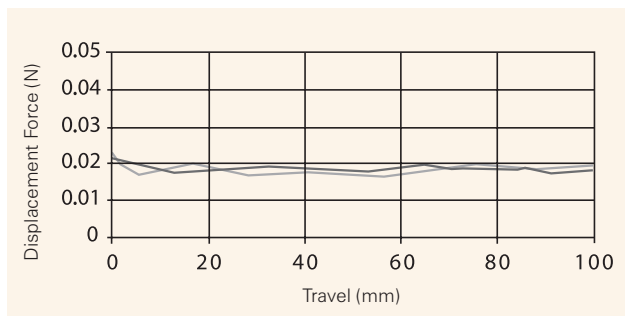
- No increase of friction
- No reduction of accuracy
- No influence of lubrication
- Increase operational life to its limits
- Zero cage creeping
- For all mounting orientations
- Easy to assemble



The ACC system is the best and most effective solution available. Precision rail with ACC option are currently available with the RSDE-series in all accuracy grades.

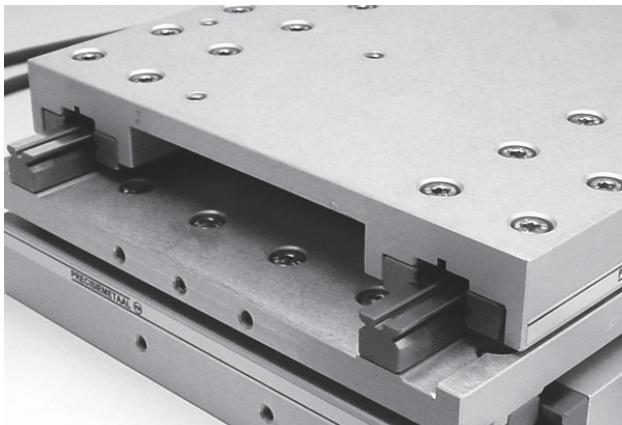
FRICTION FORCE

The ACC solution is designed and manufactured with the greatest care. Therefore, as you can see on the graph below, the force that must be applied to overcome friction is essentially unchanged.



APPLICATIONS

The ACC solution is well suited for the high speed, high pre-precision demands of the electronics and semiconductor industry for applications like wire bonding stages and pick-and place units



OPERATING TEMPERATURE

Linear bearings with ACC solution can operate under temperatures of -40°C up to +80°C. This is a significant advantage over similar systems using plastic components.

ACCELERATION

Max. acceleration 150 m/s² (15G)

Standard linear bearing rail set with ACC solution consist of:

- 4 pcs. rail type RSDE with ACC
- 2 pcs. roller cages type KRE(V) with ACC (rollers retained)

End screws not necessary

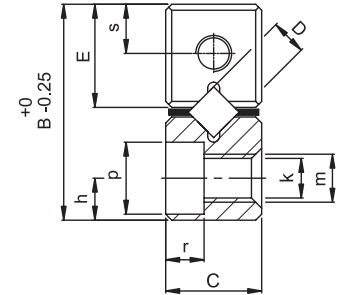
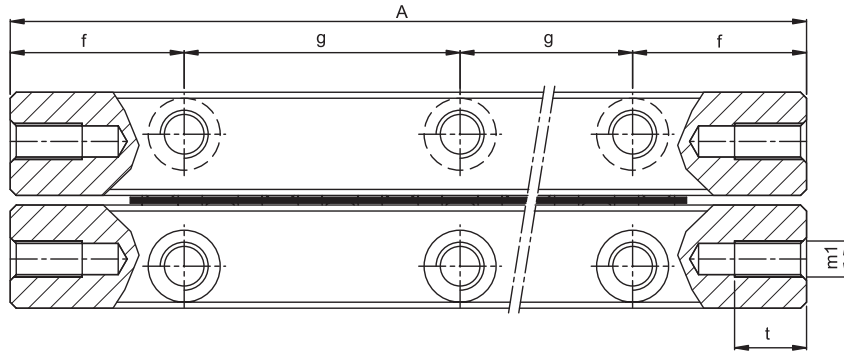
Optional:

End screws GB and mountingscrews GD

Leading global manufacturers have chosen the PM ACC

LENGTH RAILS WITH ACC
 Type RSDE - ACC, from page 84
 Compact type RNG - ACC, from type 88

solution as the best solution on the market.

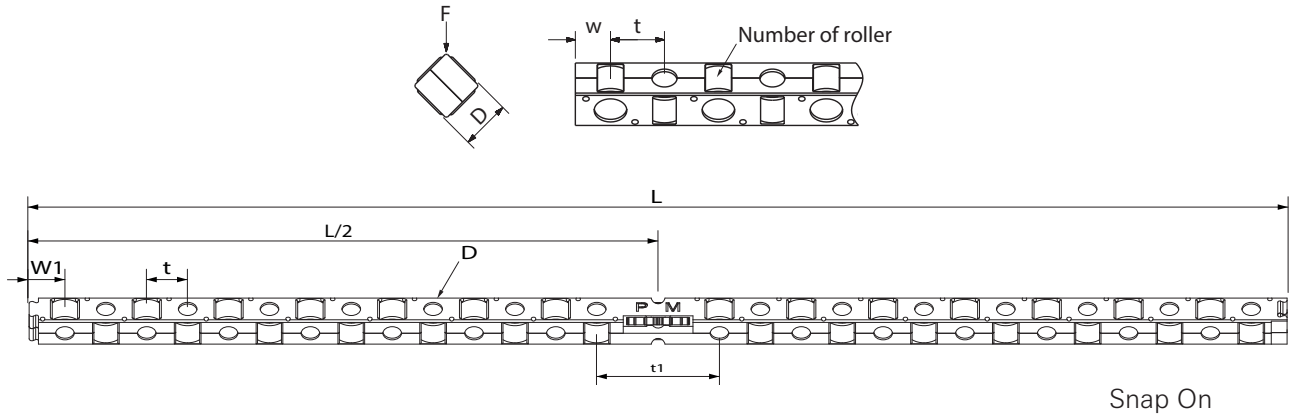


One set consist of: 4 rails + 2 roller cages, both with ACC option

RSDE-ACC Kit	Main dimensions					Mounting holes							End pieces		
	A	B	C	E	D	f	g	h	k	m	p	r	m1	s	t
RSDE-3050x8KRE-ACC	50						1x25								
RSDE-3075x12KRE-ACC	75						2x25								
RSDE-3100x18KRE-ACC	100						3x25								
RSDE-3125x22KRE-ACC	125						4x25								
RSDE-3150x28KRE-ACC	150						5x25								
RSDE-3175x34KRE-ACC	175	18	8	8.6	3	12.5	6x25	3.5 ^{±0.2}	3.2	M4	6	3.2	M3	4.1	5.5
RSDE-3200x40KRE-ACC	200						7x25								
RSDE-3225x46KRE-ACC	225						8x25								
RSDE-3250x52KRE-ACC	250						9x25								
RSDE-3275x54KRE-ACC	275						10x25								
RSDE-3300x60KRE-ACC	300						11x25								
RSDE-4080x10KRE-ACC	80						1x40								
RSDE-4120x16KRE-ACC	120						2x40								
RSDE-4160x22KRE-ACC	160						3x40								
RSDE-4200x28KRE-ACC	200						4x40								
RSDE-4240x36KRE-ACC	240	22	11	10.6	4	20	5x40	4.5 ^{±0.2}	4.3	M5	7.5	4.1	M3	5	7
RSDE-4280x42KRE-ACC	280						6x40								
RSDE-4320x48KRE-ACC	320						7x40								
RSDE-4360x54KRE-ACC	360						8x40								
RSDE-4400x60KRE-ACC	400						9x40								

Bold = Short lead time item

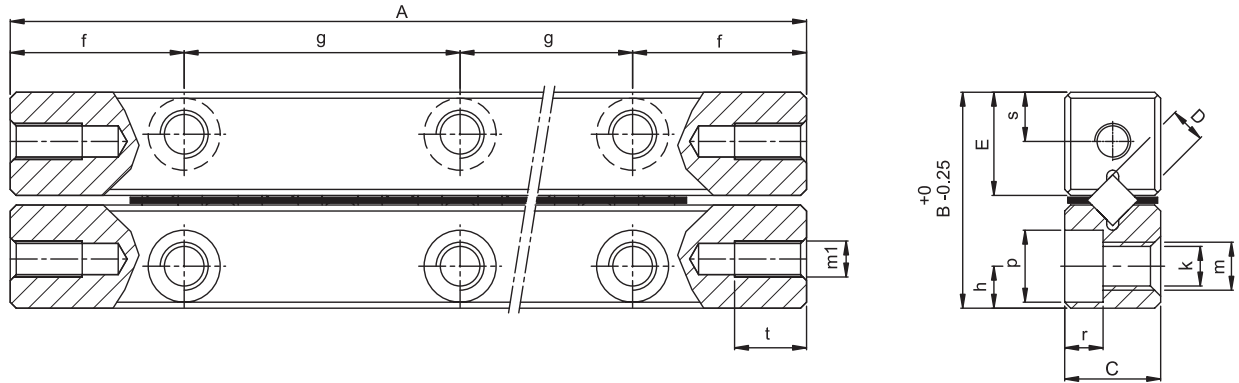
Regular = Long lead time item - please request for price and delivery time



Weight (g)	C _{dyn} in (N)	Roller cage							Stroke	Type
		D	t	t1	w	w1	Z	L		
116	3136						8	35.1	25	RSDE-3050x10KRE-ACC
161	4704						12	48.3	50	RSDE-3075x12KRE-ACC
210	7056						18	68.1	60	RSDE-3100x18KRE-ACC
259	2744						22	81.3	85	RSDE-3125x22KRE-ACC
310	10976	3	3.3	10.9	2.2	2.95	28	101.1	95	RSDE-3150x28KRE-ACC
365	13328						34	124.6	100	RSDE-3175x34KRE-ACC
405	15680						40	144.4	110	RSDE-3200x40KRE-ACC
457	18032						46	164.2	120	RSDE-3225x46KRE-ACC
507	20384						52	184	130	RSDE-3250x52KRE-ACC
555	21168						54	190.6	160	RSDE-3275x54KRE-ACC
605	23520						60	210.4	175	RSDE-3300x60KRE-ACC
317	7850						10	54	50	RSDE-4080x10KRE-ACC
475	12560						16	80.4	75	RSDE-4120x16KRE-ACC
630	17270						22	106.8	100	RSDE-4160x22KRE-ACC
788	21980						28	133.2	120	RSDE-4200x28KRE-ACC
945	28260	4	4.4	13.2	2.8	3.85	36	173	130	RSDE-4240x36KRE-ACC
1112	32970						42	199.4	160	RSDE-4280x42KRE-ACC
1259	37680						48	225.8	185	RSDE-4320x48KRE-ACC
1416	42390						54	252.8	210	RSDE-4360x54KRE-ACC
1573	47100						60	278.6	240	RSDE-4400x60KRE-ACC

F = Load direction according to picture.

Units: mm

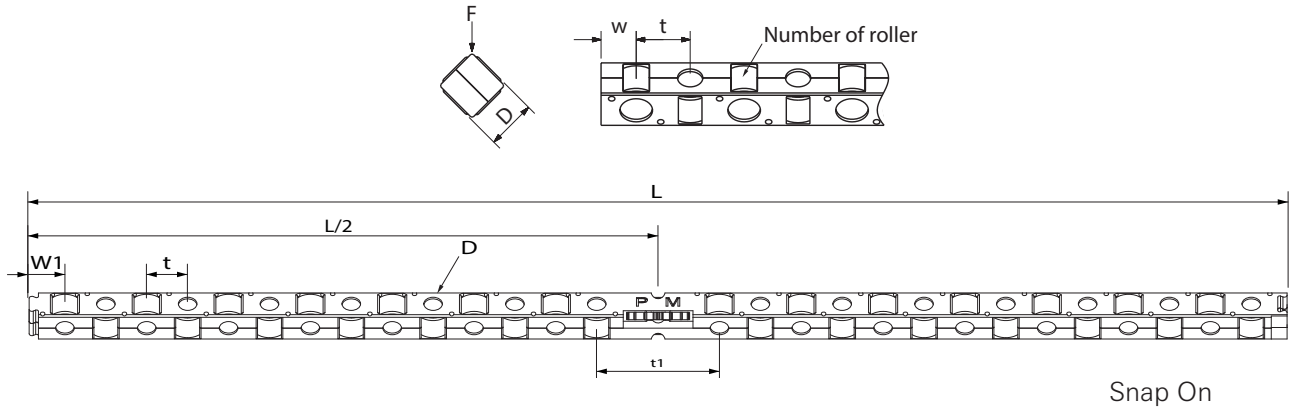


One set consist of: 4 rails + 2 roller cages, both with ACC option

RSDE-ACC Kit	Main dimensions					Mounting holes							End holes		
	A	B	C	E	D	f	g	h	k	m	p	r	m1	s	t
RSDE-6100x8KRE-ACC	100						1x50								
RSDE-6150x14KRE-ACC	150						2x50								
RSDE-6200x16KRE-ACC	200						3x50								
RSDE-6250x22KRE-ACC	250						4x50								
RSDE-6300x28KRE-ACC	300	31	15	14.9	6	25	5x50	6 \pm 0.2	5.2	M6	9.5	5.2	M5	7	8.5
RSDE-6350x32KRE-ACC	350						6x50								
RSDE-6400x38KRE-ACC	400						7x50								
RSDE-6450x44KRE-ACC	450						8x50								
RSDE-6500x48KRE-ACC	500						9x50								

Bold = Short lead time item

Regular = Long lead time item - please request for price and delivery time



Weight (g)	C _{dyn} in (N)	Roller cage							Stroke	Type
		D	t	t1	w	w1	Z	L		
650	14120						8	68	60	RSDE-6100x8KRE-ACC
968	24710						14	107.6	80	RSDE-6150x14KRE-ACC
1291	28240						16	120.8	150	RSDE-6200x16KRE-ACC
1610	38830						22	160.4	170	RSDE-6250x22KRE-ACC
1936	49448	6	6.7	19.8	4.3	6.3	28	200	200	RSDE-6300x28KRE-ACC
2254	56480						32	234.4	230	RSDE-6350x32KRE-ACC
2578	67070						38	274	250	RSDE-6400x38KRE-ACC
2910	77660						44	313.6	270	RSDE-6450x44KRE-ACC
3218	84720						48	340	310	RSDE-6500x48KRE-ACC

F = Load direction according to picture.

Units: mm

PM RESEARCH AND PRODUCTION FACILITY



PM B.V.

Galileistraat 2
NL-7701 SK, Dedemsvaart
The Netherlands

Tel: +31 523 61 22 58
info@pm.nl

WWW.PM.NL

2017