

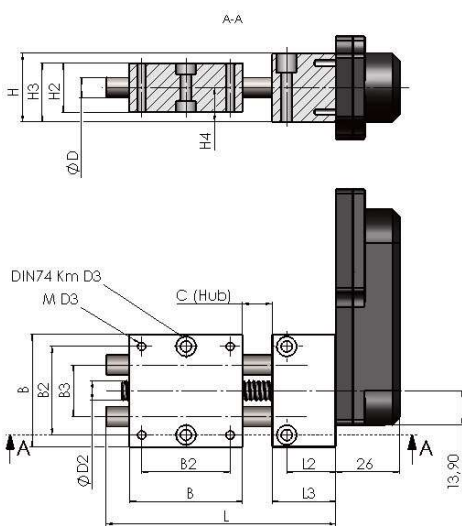
Motorpositioniertische AS

Motor positioning tables AS

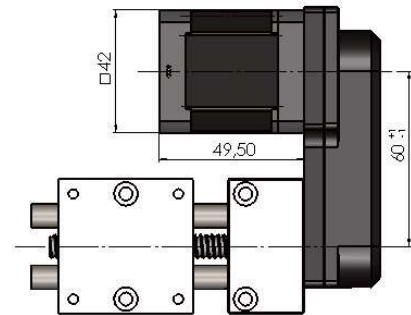
MPT2408 • MPT3012 Antrieb seitlich / lateral drive

MASSBLATT / DIMENSION SHEET

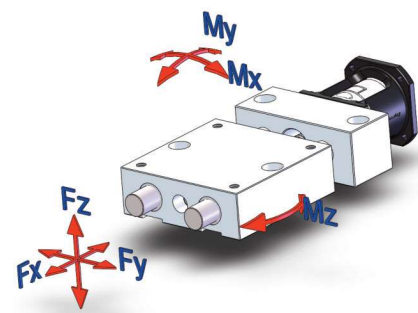
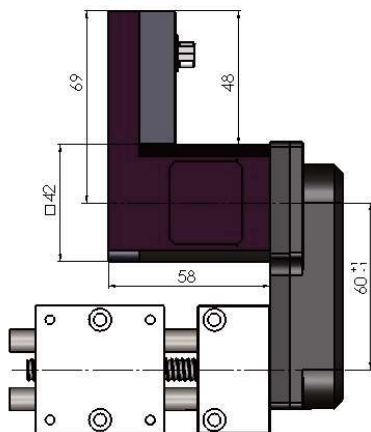
MPTxxxx-AS-B



MPTxxxx-AS-M



MPTxxxx-AS-S



Bestellnummer Order number	B	B2	B3	C (Hub)	D	D2	D3	H	H2	H3	H4	L	L2	L3	F _x [N]	F _y [N]	F _z [N]	M _x [Nm]	M _y [Nm]	M _z [Nm]
MPT2408-AS	46	36	21	24	08	8x2	4	28	20	26	14	93,5	26	20	60	60	30	0,5	0,5	2
MPT3012-AS	75	60	38	30	12	8x2	6	29,5	25	28	15,5	133	15	30	60	100	60	0,8	0,8	3

Bestellnummer Order number	AK-B [g]	AK-M [g]	AK-S [g]	AS-B [g]	AS-M [g]	AS-S [g]
MPT2408	332	706	782	371	745	821
MPT3012	792	1164	1238	832	1204	1278