

NEU



XSTR - - .6200

**IXI tra-Strong
Schwerlast-Tigerrolle
Axialrolle mit 35 %
höherer Tragfähigkeit.**

- IXI tra tragfähig
- IXI tra genau
- IXI tra stark
- IXI tra langlebig

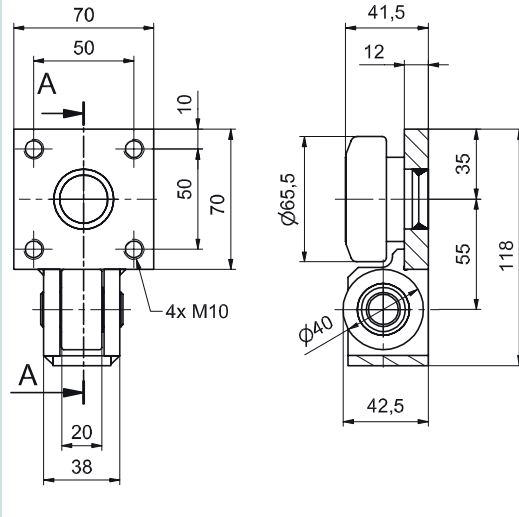
**IXI tra-Strong
Heavy duty Tiger
bearing axial bearing
with 35 % higher load
capacity.**

- IXI tra sustainable
- IXI tra exact
- IXI tra strong
- IXI tra long-lasting

**Sonderabmessungen
auf Anfrage.**

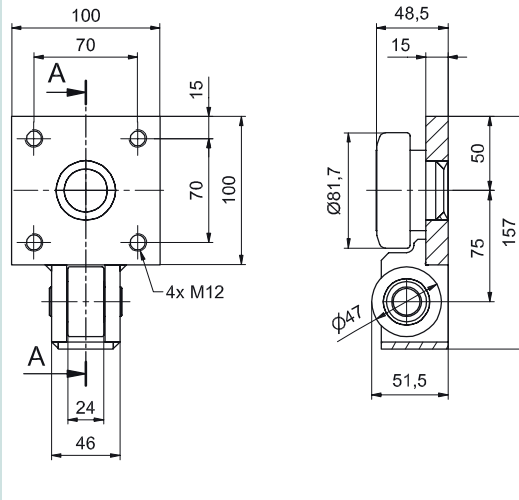
**Special dimensions
on request.**

Rolle / Roller
XSTR 060.6200



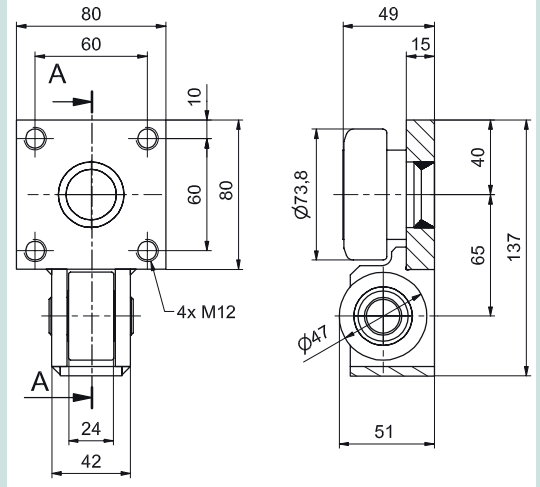
Traglast axial $F_A = 9 \text{ kN}$
 Traglast radial $F_R = 15,39 \text{ kN}$
 Load capacity axial $F_A = 9 \text{ kN}$
 Load capacity radial $F_R = 15,39 \text{ kN}$

Rolle / Roller
XSTR 080.6200



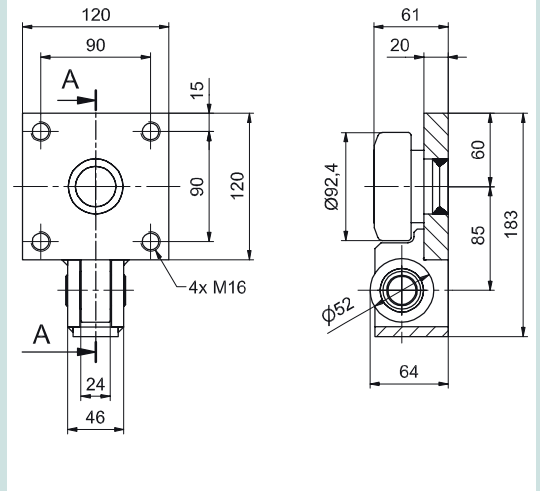
Traglast axial $F_A = 14 \text{ kN}$
 Traglast radial $F_R = 18,21 \text{ kN}$
 Load capacity axial $F_A = 14 \text{ kN}$
 Load capacity radial $F_R = 18,21 \text{ kN}$

Rolle / Roller
XSTR 070.6200



Traglast axial $F_A = 14 \text{ kN}$
 Traglast radial $F_R = 16,43 \text{ kN}$
 Load capacity axial $F_A = 14 \text{ kN}$
 Load capacity radial $F_R = 16,43 \text{ kN}$

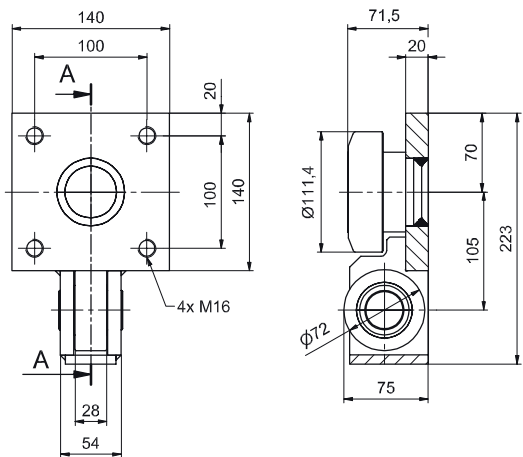
Rolle / Roller
XSTR 090.6200



Traglast axial $F_A = 17 \text{ kN}$
 Traglast radial $F_R = 31,68 \text{ kN}$
 Load capacity axial $F_A = 17 \text{ kN}$
 Load capacity radial $F_R = 31,68 \text{ kN}$

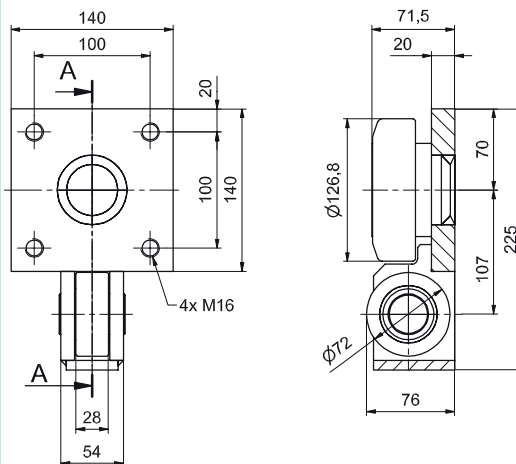
IXI SCHWERLAST-TIGERROLLE / IXI HEAVY DUTY TIGER BEARING

Rolle / Roller
XSTR 110.6200



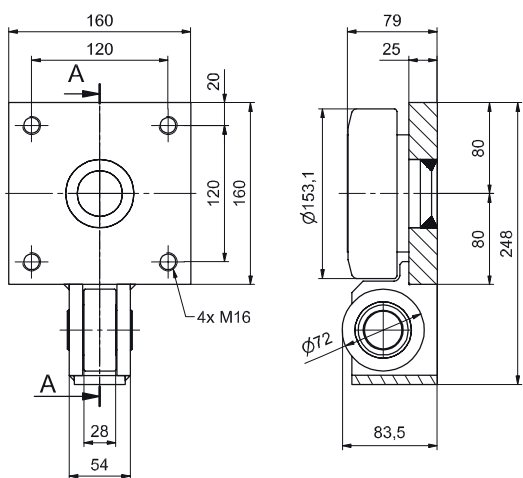
Traglast axial $F_A = 27$ kN
 Traglast radial $F_R = 34,85$ kN
 Load capacity axial $F_A = 27$ kN
 Load capacity radial $F_R = 34,85$ kN

Rolle / Roller
XSTR 120.6200



Traglast axial $F_A = 27$ kN
 Traglast radial $F_R = 47,43$ kN
 Load capacity axial $F_A = 27$ kN
 Load capacity radial $F_R = 47,43$ kN

Rolle / Roller
XSTR 150.6200



Traglast axial $F_A = 27$ kN
 Traglast radial $F_R = 82,19$ kN
 Load capacity axial $F_A = 27$ kN
 Load capacity radial $F_R = 82,19$ kN



XSTR - - -.6200

**IXI tra-Strong
 Schwerlast-Tigerrolle
 Axialrolle mit 35 %
 höherer Tragfähigkeit.**
 IXI tra tragfähig
 IXI tra genau
 IXI tra stark
 IXI tra langlebig

**IXI tra-Strong
 Heavy duty Tiger
 bearing axial bearing
 with 35 % higher load
 capacity.**
 IXI tra sustainable
 IXI tra exact
 IXI tra strong
 IXI tra long-lasting

**Sonderabmessungen
 auf Anfrage.**

**Special dimensions
 on request.**

IXI tra-Strong SCHWERLAST / IXI tra-Strong HEAVY DUTY

Bestellbeispiel / Order example:

IXI tra-Strong Tigerrolle
XSTR 080.6200

(IXI tra-Strong Schwerlast-Tigerrolle XSTR 080.6200).