

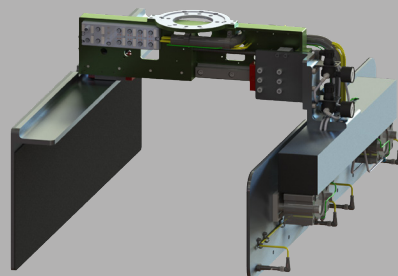
Palletizing Grippers

ARPG - Box Gripper

Applied Robotics Palletizing Gripper (ARPG) – Box Grippers modular design enables it to pick up boxes of varying widths or lengths from any conveyor and place them side-by-side, ensuring a tightly assembled pallet of products.

Advantages:

- Versatility
 - o Gripping width easily adjusts and locks with our patented Self-Locking Rotary Handwheel to reduce changeover time.
- Robustness
 - o Engineered construction with select materials provides maximum strength in any industrial environment.
- Box Present Sensor(s)
 - o Provides assurance that the box is within the grasp of the gripper.

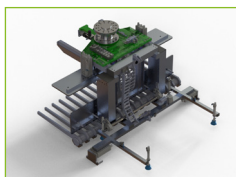
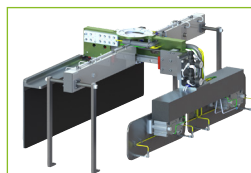
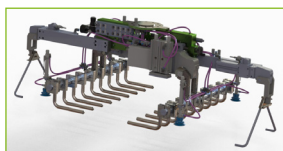


SPECIFICATIONS

Model	Rated Payload	Clamped Bag Length	Box Width Range	Clamped Box Height	Weight*
	kg (lb)	mm (in)	mm (in)	mm (in)	kg (lb)
ARPG35	35 (77.16)	610 (24.02)	345 - 645 (13.58 - 25.39)	320 (12.60)	35 (77.16)
ARPG55	55 (121.25)	610 (24.02)	345 - 645 (13.58 - 25.39)	320 (12.60)	92 (202.83)

* Gripper weight may vary depending on specific configuration.
 Operating pressure **4 - 6 bar**
 Ambient temperature **5 - 60°C**
 Sound emissions (sound pressure) **≤ 70 dB(A) in each direction**

OPTIONS

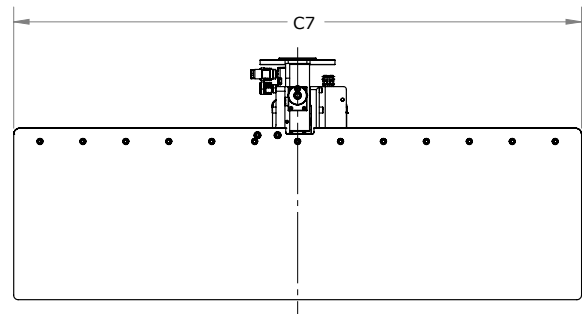
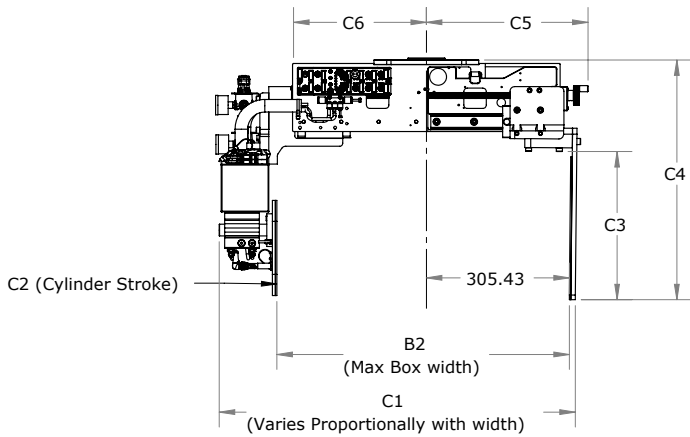
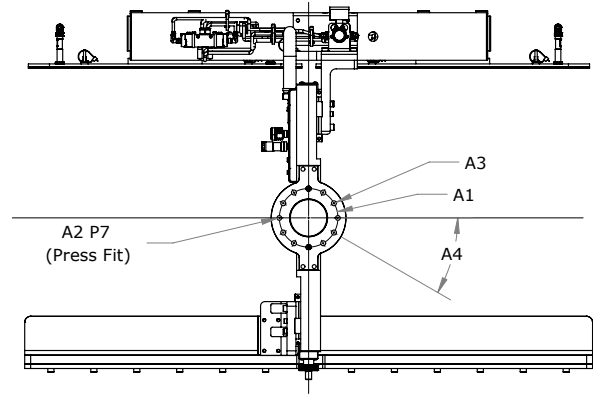
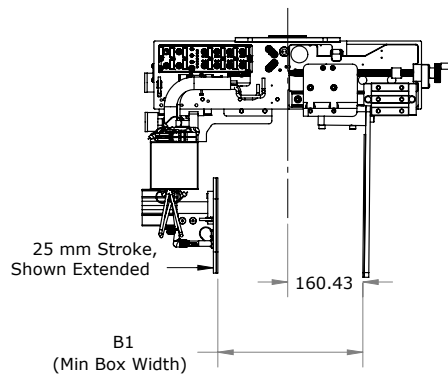


OPTION	MODEL		
	BAG GRIPPER	BOX GRIPPER	FORK LOADER
DISCRETE I/O	•	•	•
PNEUMATIC CLAMP	•	-	-
PALLET PICKER	•	•	-
SHEET PICKER	•	•	•
AUTOMATIC WIDTH ADJUSTMENT	•	•	•

• On request - Not applicable

PRODUCT INFORMATION

ARPG - Box Gripper



	Mounting Information							Opening Range (Box Width, BW)		Informational Dimensions								
	A1	A2	A3	A4	A5	A6	A7	B1	B2	C1	C2	C3	C4	C5	C6	C7	C8	C9
ARPG35	125 (4.92)	10 (0.39)	10.5 (0.41)	30°	125 (4.92)	10 (0.39)	10.5 (0.41)	309 (12.17)	610 (24.02)	BW+135 (BW+5.3)	251	316 (12.4)	512 (20.16)	345 (13.58)	283 (11.14)	600 (23.62)	15.88 (0.625)	494.8 (19.5)
ARPG55	125 (4.92)	10 (0.39)	10.5 (0.41)	30°	125 (4.92)	10 (0.39)	10.5 (0.41)	309 (12.17)	610 (24.02)	BW+135 (BW+5.3)	251	316 (12.4)	512 (20.16)	345 (13.58)	283 (11.14)	1213 (47.76)	15.88 (0.625)	646.8 (25.5)

* Dimensions are in millimeters (inches).

** Different Communication options available upon request.

*** All dimensions are descriptive and subject to variation for technical upgrading. We reserve the right to make variations without prior notification.



Applied Robotics
A COMPANY OF **EFFECTO**

Applied Robotics
648 Saratoga Road
Glenville, NY 12302 USA
Tel. +1 518 384 1000 Fax +1.5183841200
info@appliedrobotics.com
www.appliedrobotics.com



EFFECTO
EFFECTO GROUP S.p.A.
Via Roma, 141/143

28017 San Maurizio d'Opaglio (NO) - Italy
Tel. +39 0322 96142 Fax +39 0322 967453
info@effecto.com
www.effecto.com

