

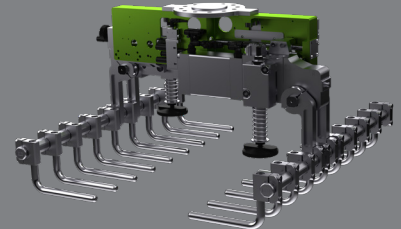
Palletizing Grippers

ARPG BAG

Applied Robotics Palletizing Gripper (ARPG) – Bag Gripper provides rapid pick-and-place palletizing of bagged products, offering complete robotic control of a palletizing cell.

Advantages:

- High Energy Density (Payload to Gripper Weight Ratio)
 - o Doesn't require large robots to palletize lightweight bags.
- Versatility
 - o Gripper width easily adjusts and locks with our patented Self-Locking Rotary Handwheel.
- Failsafe Payload Support
 - o Will not lose payload during loss of power or air.
- Robustness
 - o Engineered construction with select materials provides maximum strength in any industrial environment.
- Bag Present Sensor
 - o Provides assurance that the bag is within the grasp of the gripper.



SPECIFICATIONS

Model	Rated Payload	Supported Bag Length	Bag Width Range	Bag Height	Weight*
ARPG15	15 kg	0 - 600 mm	200 - 375 mm	75 - 150 mm	15.9 kg
	33 lb	0 - 23.62 in	7.87 - 14.76 in	2.95 - 5.91 in	35.1 lb
ARPG30	30 kg	0 - 750 mm	300 - 500 mm	75 - 150 mm	27 kg
	66 lb	0 - 29.53 in	11.81 - 19.69 in	2.95 - 5.91 in	59.5 lb
ARPG30-L	30 kg	0 - 1050 mm	300 - 500 mm	75 - 150 mm	29 kg
	66 lb	0 - 42.34 in	11.81 - 19.69 in	2.95 - 5.91 in	63.9 lb
ARPG50	50 kg	0 - 900 mm	400 - 600 mm	100 - 200 mm	42 kg
	110 lb	0 - 35.43 in	15.75 - 23.62 in	3.94 - 7.87 in	92.6 lb
ARPG50-L	50 kg	0 - 1050 mm	400 - 600 mm	100 - 200 mm	46 kg
	110 lb	0 - 42.34 in	15.75 - 23.62 in	3.94 - 7.87 in	101.4 lb

* Gripper weight may vary depending on specific configuration.

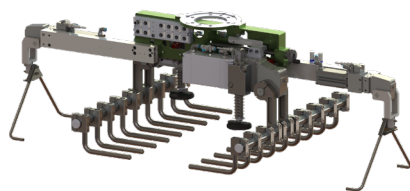
Bags per Minute **30 BPM**

Sound emissions (sound pressure) ≤ 70 dB(A) in jede Richtung

Ambient temperature **5 - 60 °C (41 - 140 °F)**

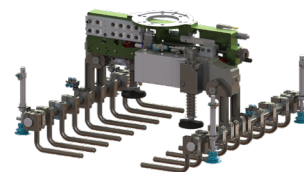
Operating pressure **4 - 6 bar (58 - 87 psi)**

OPTIONS



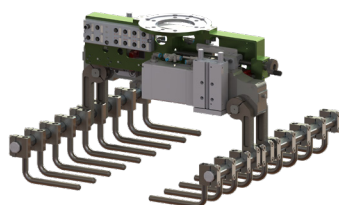
Pallet Picker

Enables picking and placing of standard empty pallets without interrupting palletizing cycle.



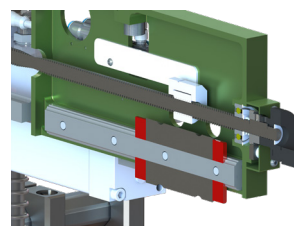
Sheet Picker

Allows picking and placing of any type of sheet via suction cups.



Pneumatic Pusher

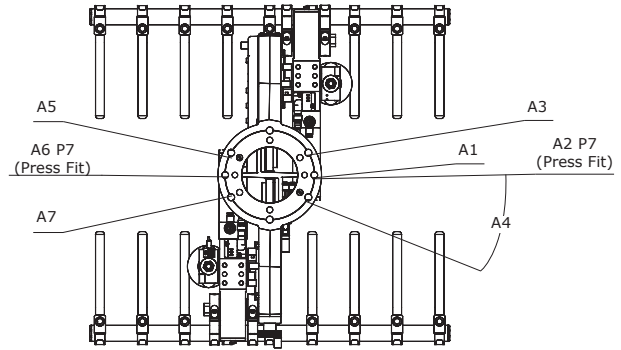
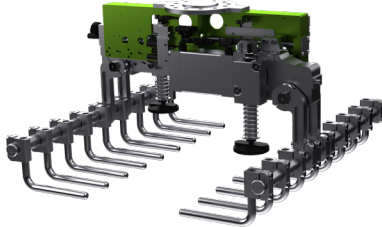
Offers controlled clamping and releasing through the use of pneumatic cylinders, as well as giving the same amount of force on all bags, regardless of bag thickness.



Servo Bag Width Adjustment

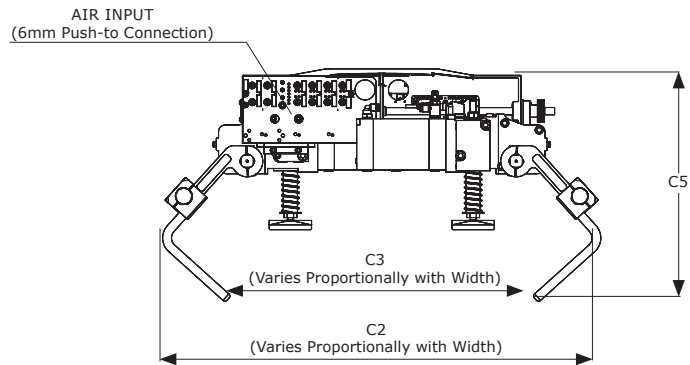
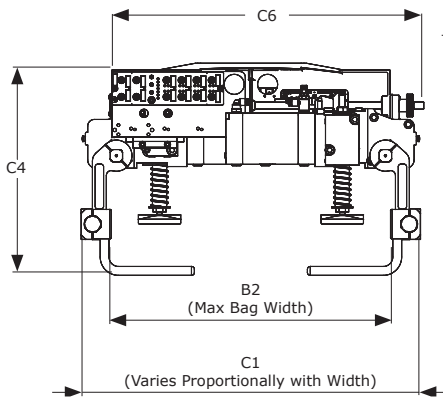
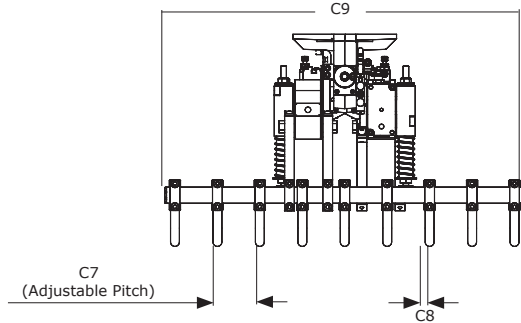
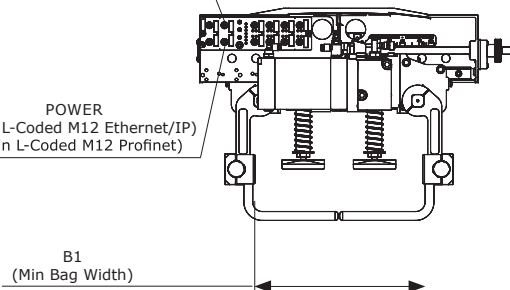
Provides on-the-fly bag width adjustment so that multiple bag widths can be palletized without the need for operator intervention.

PRODUCT INFORMATION



COMMUNICATIONS
(4-Pin D-Coded M12 Ethernet/IP)
(4-Pin D-Coded M12 Profinet)

POWER
(5-Pin L-Coded M12 Ethernet/IP)
(5-Pin L-Coded M12 Profinet)



Mounting Information

Opening Range (Bag Width, BW)

Informational Dimensions

	A1	A2	A3	A4	A5	A6	A7	B1	B2	C1	C2	C3	C4	C5	C6	C7	C8	C9
ARPG15	160 (6.30)	12 (0.47)	12.5 (0.49)	30°	125 (4.92)	10 (0.39)	10.5 (0.41)	200 (7.9)	375 (14.8)	BW+106 (BW+4.2)	BW+311.8 (BW+12.3)	BW+151.7 (BW+6.0)	415 (16.3)	420 (16.5)	563 (22.1)	16 - 200 (0.6 - 7.8)	15.88 (0.625)	494.8 (19.5)
ARPG30	160 (6.30)	12 (0.47)	12.5 (0.49)	30°	125 (4.92)	10 (0.39)	10.5 (0.41)	300 (11.8)	500 (19.7)	BW+106 (BW+4.2)	BW+284.9 (BW+11.2)	BW+50.5 (BW+2.0)	420 (16.5)	420 (16.5)	563 (22.1)	16 - 200 (0.6 - 7.8)	15.88 (0.625)	646.8 (25.5)
ARPG30-L	160 (6.30)	12 (0.47)	12.5 (0.49)	30°	125 (4.92)	10 (0.39)	10.5 (0.41)	300 (11.8)	500 (19.7)	BW+106 (BW+4.2)	BW+284.9 (BW+11.2)	BW+50.5 (BW+2.0)	420 (16.5)	420 (16.5)	563 (22.1)	16 - 200 (0.6 - 7.8)	15.88 (0.625)	951.6 (37.5)
ARPG50	160 (6.30)	12 (0.47)	12.5 (0.49)	30°	125 (4.92)	10 (0.39)	10.5 (0.41)	494.8 (19.48)	611.3 (24.07)	721.8 (28.42)	959.5 (37.78)	713.2 (28.08)	455.6 (17.94)	500 (19.69)	630 (24.80)	16 - 200 (0.6 - 7.8)	15.88 (0.625)	806.3 (31.74)
ARPG50S-L	160 (6.30)	12 (0.47)	12.5 (0.49)	30°	125 (4.92)	10 (0.39)	10.5 (0.41)	494.8 (19.48)	611.3 (24.07)	721.8 (28.42)	959.5 (37.78)	713.2 (28.08)	455.6 (17.94)	500 (19.69)	630 (24.80)	16 - 200 (0.6 - 7.8)	15.88 (0.625)	1111.1 (43.74)

* Dimensions are in millimeters (inches).

** All dimensions are descriptive and subject to variation for technical upgrading. We reserve the right to make variations without prior notification



EFFECTO GROUP S.p.A.
Via Roma, 141/143
28017 San Maurizio d'Opaglio (NO) - IT
Tel. +39 0322 96142
info@effecto.com



Applied Robotics, Inc.
648 Saratoga Road
Glenville, NY 12302 USA
Tel. +1 518 384 1000
info@effectousa.com



EFFECTO GmbH
Olingerstrasse 109
82194 Gröbenzell - DE
Tel. +49(0)8142 59397-0
info@effectogmbh.de

www.effecto.com