

# Pneumatic Rubber Air Grippers

## BLQ-E

BLQ-E is a rubber gripper featuring an inflatable rubber bladder construction that allows each model to manipulate a great number of shapes.

### Advantages

- Multiple part sizes handled with one gripper, due to its capability to grip around an object that is 40% of its deflated diameter.
- Delicate handling by controlling the amount of pressure within the bladder.
- Soft and secure touch even with heavy loads thanks to the distribution of the holding force over a large surface area.
- Non-marring contact due to the soft touch of rubber and air, especially suitable for glass and plastic objects.
- Wide size range, handling objects with outer diameter from 5 to 45mm.
- No lubrication required.
- Long life even in dusty environments due to lack of seals or bearings.



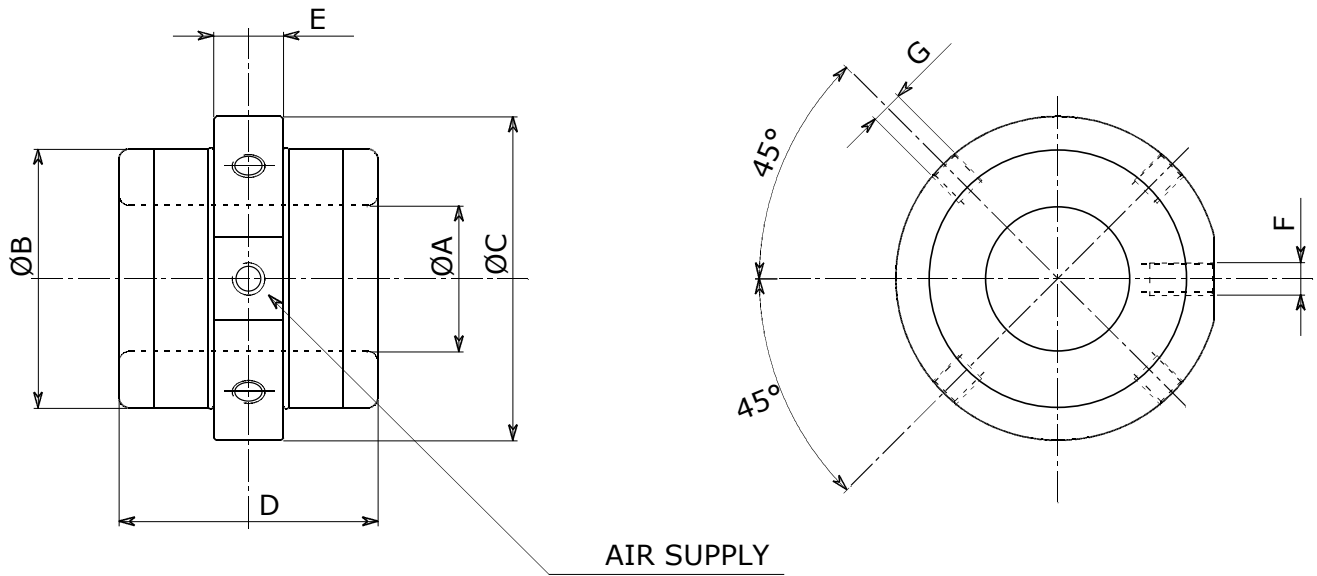
## SPECIFICATIONS

Model	Applicable Work Diameter		Recommended Load Weight	Max Restricted Pressure	Max Unrestricted Pressure	Working Temperature	Load Capability**	Weight	Lubrication	Rubber Section Material
	min	max								
<b>BLQ 5-15 E</b>	5.00 mm 0.20 inch	15.00 mm 0.59 inch	1.40 kg 3.10 lbs	1.5 bar 20 psi	0.75 bar 10 psi	0 / 50 °C 32 / 122 °F	1.8-5.0 kg 4.0-11.0 lbs	60 g 2 oz	NOT ALLOWED	Neoprene
<b>BLQ 10-25 E</b>	10.00 mm 0.39 inch	25.00 mm 0.98 inch	3.80 kg 8.38 lbs	1.5 bar 20 psi	0.75 bar 10 psi	0 / 50 °C 32 / 122 °F	4.1-12.3 kg 9.0-27.0 lbs	145 g 5 oz	NOT ALLOWED	Neoprene
<b>BLQ 15-35 E</b>	15.00 mm 0.59 inch	35.00 mm 1.38 inch	9.00 kg 19.84 lbs	1.5 bar 20 psi	0.75 bar 10 psi	0 / 50 °C 32 / 122 °F	9.1-16.3 kg 20.0-36.0 lbs	210 g 7.5 oz	NOT ALLOWED	Neoprene
<b>BLQ20-45 E</b>	20.00 mm 0.79 inch	45.00 mm 1.77 inch	9.00 kg 19.84 lbs	1.5 bar 20 psi	0.75 bar 10 psi	0 / 50 °C 32 / 122 °F	9.1-22.7 kg 20.0-50.0 lbs	285 g 10 oz	NOT ALLOWED	Neoprene
<b>BLQ 5-15 ES</b>	5.00 mm 0.20 inch	15.00 mm 0.59 inch	1.40 kg 3.10 lbs	1 bar 15 psi	0.75 bar 10 psi	-30 / 160 °C -22 / 320 °F	1.4-3.8 kg 3.0-8.3 lbs	60 g 2 oz	NOT ALLOWED	Silicon
<b>BLQ 10-25 ES</b>	10.00 mm 0.39 inch	25.00 mm 0.98 inch	3.00 kg 6.61 lbs	1 bar 15 psi	0.75 bar 10 psi	-30 / 160 °C -22 / 320 °F	3.0-9.2 kg 6.8-20.3 lbs	130 g 4.5 oz	NOT ALLOWED	Silicon
<b>BLQ 15-35 ES</b>	15.00 mm 0.59 inch	35.00 mm 1.38 inch	7.00 kg 15.43 lbs	1 bar 15 psi	0.75 bar 10 psi	-30 / 160 °C -22 / 320 °F	6.8-12.2 kg 15.0-27.0 lbs	210 g 7.5 oz	NOT ALLOWED	Silicon
<b>BLQ 20-45 ES</b>	20.00 mm 0.79 inch	45.00 mm 1.77 inch	7.00 kg 15.43 lbs	1 bar 15 psi	0.75 bar 10 psi	-30 / 160 °C -22 / 320 °F	6.8-17.0 kg 15.0-37.5 lbs	260 g 9 oz	NOT ALLOWED	Silicon

\* End-effector must be inflated unrestricted at the maximum recommended working pressure for 30 cycles.

\*\*Load capability evaluated with working diameter range at max allowed pressure.





	Ø A	Ø B	Ø C	D	E	F	G
<b>BLQ 5-15 E</b>	19 (0.75)	33 (1.30)	40 (1.57)	36 (1.42)	10 (0.39)	M5	M5
<b>BLQ 10-25 E</b>	27 (1.06)	48 (1.89)	60 (2.36)	48 (1.89)	13 (0.51)	M6	M6
<b>BLQ 15-35 E</b>	37 (1.46)	58 (2.28)	70 (2.76)	52 (2.05)	14 (0.55)	M6	M6
<b>BLQ 20-45 E</b>	48 (1.89)	69 (2.72)	80 (3.15)	56 (2.20)	15 (0.59)	Rc 1/8	M8

\* Dimensions are in millimeters (inches).

\*\* All dimensions are descriptive and subject to variation for technical upgrading.  
We reserve the right to make variations without prior notification



Applied Robotics  
648 Saratoga Road  
Glenville, NY 12302 USA  
Tel. +1 518 384 1000 Fax +1.5183841200  
info@appliedrobotics.com  
www.appliedrobotics.com



EFFECTO GROUP S.p.A.  
Via Roma, 141/143  
28017 San Maurizio d'Opaglio (NO) - Italy  
Tel. +39 0322 96142 Fax +39 0322 967453  
info@effecto.com  
www.effecto.com

