

# Pneumatic Rubber Pickers

## BLQ-I

BLQ-I is a rubber gripper featuring an inflatable rubber bladder construction that allows a single model to manipulate a great number of shapes.

### Advantages

- The BLQ-I can increase its diameter by as much as 1.86 times its deflated shape allowing for one gripper to handle multiple part sizes.
- Delicate handling by controlling the amount of pressure within the bladder.
- Soft and secure touch even with heavy loads thanks to the distribution of the holding force over a large surface area.
- Non-marring contact due to the soft touch of rubber and air, especially suitable for glass and plastic objects.
- Wide size range, handling objects with inner diameter from 8.5 to 105mm.
- No lubrication required.
- Long life even in dusty environments due to lack of seals or bearings.



## SPECIFICATIONS

Model	Applicable Work Diameter		Recommended Load Weight	Max Restricted Pressure	Max Unrestricted Pressure	Working Temperature	Load Capability**	Weight	Lubrication	Rubber Section Material	Metallic Section Material
	min	max									
<b>BLQ 8.5-10 I</b>	8.50 mm 0.33 inch	10.00 mm 0.39 inch	0.30 kg 6.61 lbs	4 bar 55 psi	1.8 bar 25 psi	0 / 50 °C 32 / 122 °F	1.5-0.15 kg 3.3-0.3 lbs	8 g 0.5 oz	NOT ALLOWED	Neoprene	Stainless Steel
<b>BLQ 10-12 I</b>	10.00 mm 0.39 inch	13.00 mm 0.51 inch	0.30 kg 6.61 lbs	4 bar 55 psi	1.8 bar 25 psi	0 / 50 °C 32 / 122 °F	1.5-0.23 kg 3.4-0.5 lbs	12 g 0.5 oz	NOT ALLOWED	Neoprene	Stainless Steel
<b>BLQ 12-17 I</b>	12.00 mm 0.47 inch	17.00 mm 0.67 inch	1.30 kg 2.87 lbs	4 bar 55 psi	1.8 bar 25 psi	0 / 50 °C 32 / 122 °F	3.0-1.1 kg 6.6-2.5 lbs	17 g 0.5 oz	NOT ALLOWED	Neoprene	Stainless Steel
<b>BLQ 16-21 I</b>	16.00 mm 0.63 inch	21.00 mm 0.83 inch	2.00 kg 4.41 lbs	5 bar 70 psi	1.8 bar 25 psi	0 / 50 °C 32 / 122 °F	5.0-3.3 kg 11.0-7.3 lbs	28 g 1 oz	NOT ALLOWED	Neoprene	Plated Steel
<b>BLQ 21-27 I</b>	20.00 mm 0.79 inch	27.00 mm 1.06 inch	2.50 kg 5.51 lbs	5 bar 70 psi	2.4 bar 35 psi	0 / 50 °C 32 / 122 °F	7.4-3.0 kg 16.3-6.6 lbs	60 g 2 oz	NOT ALLOWED	Neoprene	Plated Steel
<b>BLQ 24-32 I</b>	23.00 mm 0.91 inch	32.00 mm 1.26 inch	3.00 kg 6.61 lbs	5 bar 70 psi	2.4 bar 35 psi	0 / 50 °C 32 / 122 °F	10.4-3.5 kg 23.0-7.7 lbs	85 g 3 oz	NOT ALLOWED	Neoprene	Plated Steel
<b>BLQ28-36 I</b>	26.00 mm 1.02 inch	40.00 mm 1.57 inch	3.50 kg 7.72 lbs	5 bar 70 psi	2.4 bar 35 psi	0 / 50 °C 32 / 122 °F	14.12-2.25 kg 31.25-5.0 lbs	105 g 3.5 oz	NOT ALLOWED	Neoprene	Plated Steel
<b>BLQ 30-44 I</b>	30.00 mm 1.18 inch	44.00 mm 1.73 inch	6.00 kg 13.23 lbs	5 bar 70 psi	2.4 bar 35 psi	0 / 50 °C 32 / 122 °F	13.6-6.8 kg 30.0-15.0 lbs	160 g 5.5 oz	NOT ALLOWED	Neoprene	Plated Steel
<b>BLQ 32-52 I</b>	32.00 mm 1.26 inch	54.00 mm 2.13 inch	9.00 kg 19.84 lbs	5 bar 70 psi	2.4 bar 35 psi	0 / 50 °C 32 / 122 °F	24.9-9.1 kg 55.0-20.0 lbs	245 g 8.5 oz	NOT ALLOWED	Neoprene	Plated Steel
<b>BLQ 45-65 I</b>	45.00 mm 1.77 inch	65.00 mm 2.56 inch	12.00 kg 26.46 lbs	5 bar 70 psi	2.4 bar 35 psi	0 / 50 °C 32 / 122 °F	34.9-11.3 kg 77.0-25.0 lbs	180 g 6 oz	NOT ALLOWED	Neoprene	Aluminium
<b>BLQ 58-85 I</b>	58.00 mm 2.28 inch	85.00 mm 3.35 inch	22.00 kg 48.50 lbs	5 bar 70 psi	2.4 bar 35 psi	0 / 50 °C 32 / 122 °F	59.0-22.7 kg 130.0-50.0 lbs	370 g 13 oz	NOT ALLOWED	Neoprene	Aluminium
<b>BLQ 70-105 I</b>	70.00 mm 2.76 inch	105.00 mm 4.13 inch	28.00 kg 61.73 lbs	5 bar 70 psi	2.4 bar 35 psi	0 / 50 °C 32 / 122 °F	72.6-29.9 kg 160.0-66.0 lbs	610 g 21.5 oz	NOT ALLOWED	Neoprene	Aluminium
<b>BLQ 21-27 IS</b>	22.00 mm 0.87 inch	25.00 mm 0.98 inch	2.50 kg 5.51 lbs	1.8 bar 25 psi	1 bar 15 psi	-30 / 160 °C -22 / 320 °F	1.0-0.23 kg 2.2-0.5 lbs	60 g 2 oz	NOT ALLOWED	Silicone	Aluminium
<b>BLQ 24-32 IS</b>	25.00 mm 0.98 inch	30.00 mm 1.18 inch	3.00 kg 6.61 lbs	1.8 bar 25 psi	1 bar 15 psi	-30 / 160 °C -22 / 320 °F	1.5-0.18 kg 3.3-0.4 lbs	85 g 3 oz	NOT ALLOWED	Silicone	Aluminium
<b>BLQ 30-44 IS</b>	32.00 mm 1.26 inch	40.00 mm 1.57 inch	6.00 kg 13.23 lbs	1.8 bar 25 psi	1 bar 15 psi	-30 / 160 °C -22 / 320 °F	2.5-0.6 kg 5.5-1.3 lbs	165 g 6 oz	NOT ALLOWED	Silicone	Aluminium
<b>BLQ 32-52 IS</b>	34.00 mm 1.34 inch	42.00 mm 1.65 inch	9.00 kg 19.84 lbs	1.8 bar 25 psi	0.8 bar 12 psi	-30 / 160 °C -22 / 320 °F	3.0-5-1 kg 7.7-2.3 lbs	110 g 4 oz	NOT ALLOWED	Silicone	Aluminium
<b>BLQ 45-65 IS</b>	46.00 mm 1.81 inch	58.00 mm 2.28 inch	12.00 kg 26.46 lbs	1.8 bar 25 psi	0.8 bar 12 psi	-30 / 160 °C -22 / 320 °F	3.6-2.0 kg 8.0-4.5 lbs	180 g 6 oz	NOT ALLOWED	Silicone	Aluminium

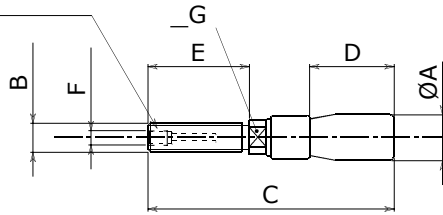
\* End-effector must be inflated unrestricted at the maximum recommended working pressure for 30 cycles.  
 \*\*Load capability evaluated with working diameter range at max allowed pressure.



# PRODUCT INFORMATION

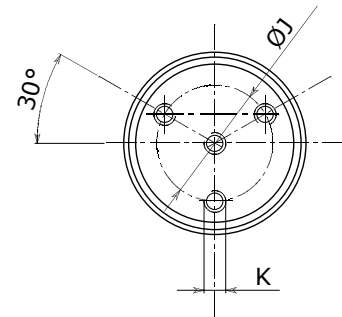
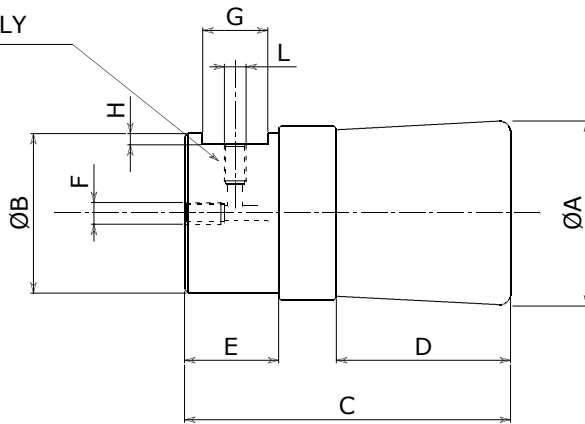
# BLQ-I

AIR SUPPLY



(BLQ 8.5-10 I - BLQ 12-17 I)

AIR SUPPLY



(BLQ 16-21 I - BLQ 70-105 I)

	Ø A	B	Ø B	C	D	E	F	G	H	Ø J	K	L
<b>BLQ 8.5-10 I</b>	8.0 (0.31)	M6		51 (2.01)	17.5 (0.69)	21 (0.83)	M3	5 (0.20)				
<b>BLQ 10-12 I</b>	9.5 (0.37)	M6		51 (2.01)	17.5 (0.69)	21 (0.83)	M3	6 (0.24)				
<b>BLQ 12-17 I</b>	11.0 (0.43)	M8		51 (2.01)	17.5 (0.69)	21 (0.83)	M5	8 (0.31)				
<b>BLQ 16-21 I</b>	14.0 (0.55)		10 (0.39)	52 (2.05)	21 (0.83)	22 (0.87)	M5	12 (0.47)	2 (0.08)			M5
<b>BLQ 21-27 I</b>	19.0 (0.75)		14 (0.55)	56 (2.20)	22 (0.87)	22 (0.87)	M5	12 (0.47)	2 (0.08)			M5
<b>BLQ 24-32 I</b>	22.0 (0.87)		17 (0.67)	56 (2.20)	22 (0.87)	22 (0.87)	M5	12 (0.47)	2 (0.08)			M5
<b>BLQ 28-36 I</b>	25.0 (0.98)		19 (0.75)	55 (2.17)	22 (0.87)	22 (0.87)	M5	12 (0.47)	2 (0.08)			M5
<b>BLQ 30-44 I</b>	27.0 (1.06)		22 (0.87)	64 (2.52)	28 (1.10)	25 (0.98)	M5	14 (0.55)	2 (0.08)			M5
<b>BLQ 32-52 I</b>	29.0 (1.14)		25 (0.98)	76 (2.99)	34 (1.34)	30 (1.18)	M5	15 (0.59)	2.5 (0.10)			M5
<b>BLQ 45-65 I</b>	41.0 (1.61)		34 (1.34)	71 (2.80)	42 (1.65)	17.5 (0.69)	M6					Rc 1/8
<b>BLQ 58-85 I</b>	51.0 (2.01)		44 (1.73)	90 (3.54)	52 (2.05)	26 (1.02)	M6	18 (0.71)	3 (0.12)	32 (1.26)	M6	M6
<b>BLQ 70-105 I</b>	63.0 (2.48)		54 (2.13)	101 (3.98)	53 (2.09)	35 (1.38)	M6	20 (0.79)	3 (0.12)	40 (1.57)	M6	M6

\* Dimensions are in millimeters (inches).

\*\* All dimensions are descriptive and subject to variation for technical upgrading. We reserve the right to make variations without prior notification



Applied Robotics  
648 Saratoga Road

Glenville, NY 12302 USA  
Tel. +1 518 384 1000 Fax +1.5183841200  
info@appliedrobotics.com  
www.appliedrobotics.com



EFFECTO GROUP S.p.A.  
Via Roma, 141/143

28017 San Maurizio d'Opaglio (NO) - Italy  
Tel. +39 0322 96142 Fax +39 0322 967453  
info@effecto.com  
www.effecto.com

