

# Collaborative Parallel Grippers

## ECG2-30300 2-Finger

ECG is a collaborative 2-finger parallel gripper that is equipped with symmetrically parallel fingers.

### Advantages

- Compact design
- Smooth body with rounded edges ideal for collaborative applications
- Grip control: force and position adjustment
- Quick open/close time with speed adjustment
- Grip feedback and part detection: gripper status can be read at the PLC/Controller and visualized on the unit via LED's
- Plug and play: mechanical and software interface for major cobot manufacturers
- Multiple communication modes: the gripper supports Modbus RTU protocol and IO mode control. Other protocols such as USB and ETHERNET can be implemented through a protocol converter.
- ROS compatible
- Designed for harsh environments
- Grip actuation via embedded controller.
- Brake locking mechanism.



## SPECIFICATIONS

Model	Stroke per Jaw	Gripping Force per Jaw	Total Gripping Force	Opening/Closing Time	Nominal Voltage	Nominal Current	Max Current	Repeatability (Positioning)	Recommended Workpiece Weight*	Weight
<b>ECG2-30300</b>	30 mm 1.18 in	40 - 300 N 8.99 - 67.44 lb	80 - 600 N 17.98 - 134.89 lb	0.8 / 0.8 s	24 V DC ± 10%	0.40 A	2.00 A	± 0.03 mm ± 0.001 in	6.0 kg 13.23 lb	1.50 kg 3.31 lb

\* Recommended workpiece weight depends on the shape of the part, the material and friction of the contact surface and the acceleration of the motion.

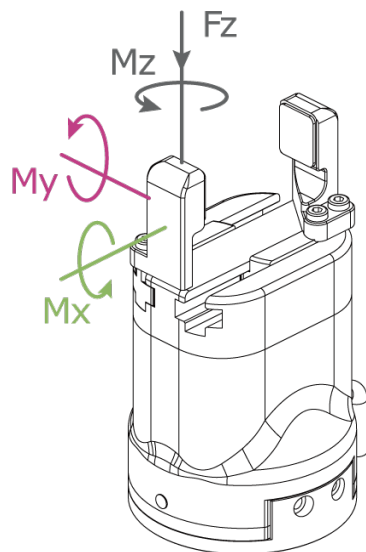
Communication Interface **Standard: Modbus RTU (RS485), Digital I/O**  
**Optional: TCP/IP, USB2.0, CAN2.0A, PROFINET, EtherCAT**

IP Protection Class **IP 67**

Noise Emission (Sound Pressure) **≤ 40 dB(A) in any direction**

Recommended operating environment **0-40 °C (32-104 °F), < 85% RH**

For this type of gripper the use of the standard fingers is recommended.



### Allowable vertical load (static)

Fz 600 N (134.89 lb)

### Allowable moment (static)

Mx 15 Nm (132.76 in-lb)

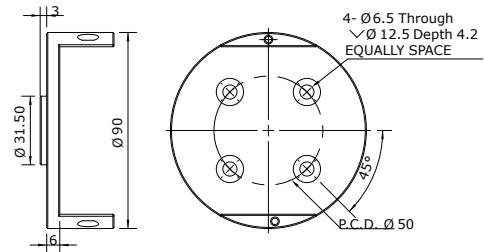
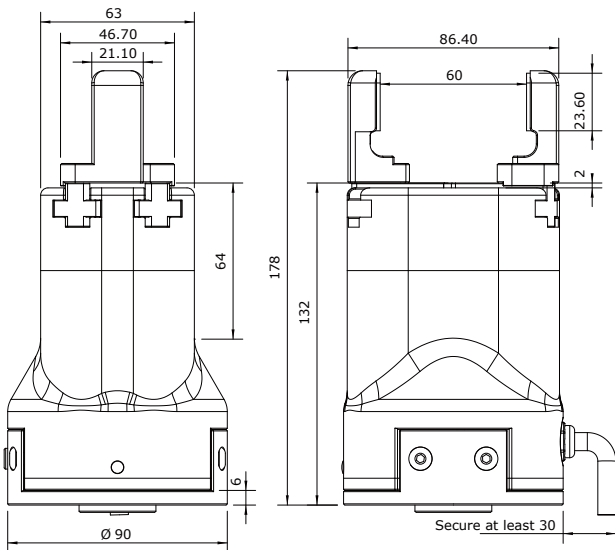
My 15 Nm (132.76 in-lb)

Mz 15 Nm (132.76 in-lb)

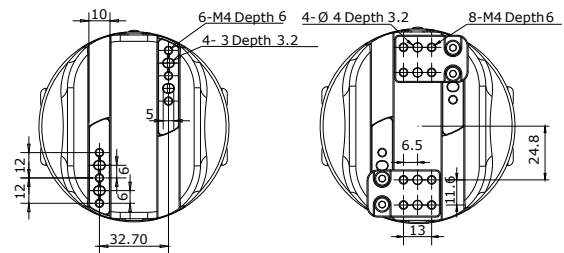


# PRODUCT INFORMATION

# ECG2-30300 2-Finger



■ Conform to ISO 9409-1-50-4-M6 Standard flange



■ Rail mounting holes

■ Custom finger mounting size



Applied Robotics  
648 Saratoga Road

Glenville, NY 12302 USA

Tel. +1 518 384 1000 Fax +1.5183841200

info@appliedrobotics.com

www.appliedrobotics.com



EFFECTO GROUP S.p.A.  
Via Roma, 141/143

28017 San Maurizio d'Opaglio (NO) - Italy

Tel. +39 0322 96142 Fax +39 0322 967453

info@effecto.com

www.effecto.com

