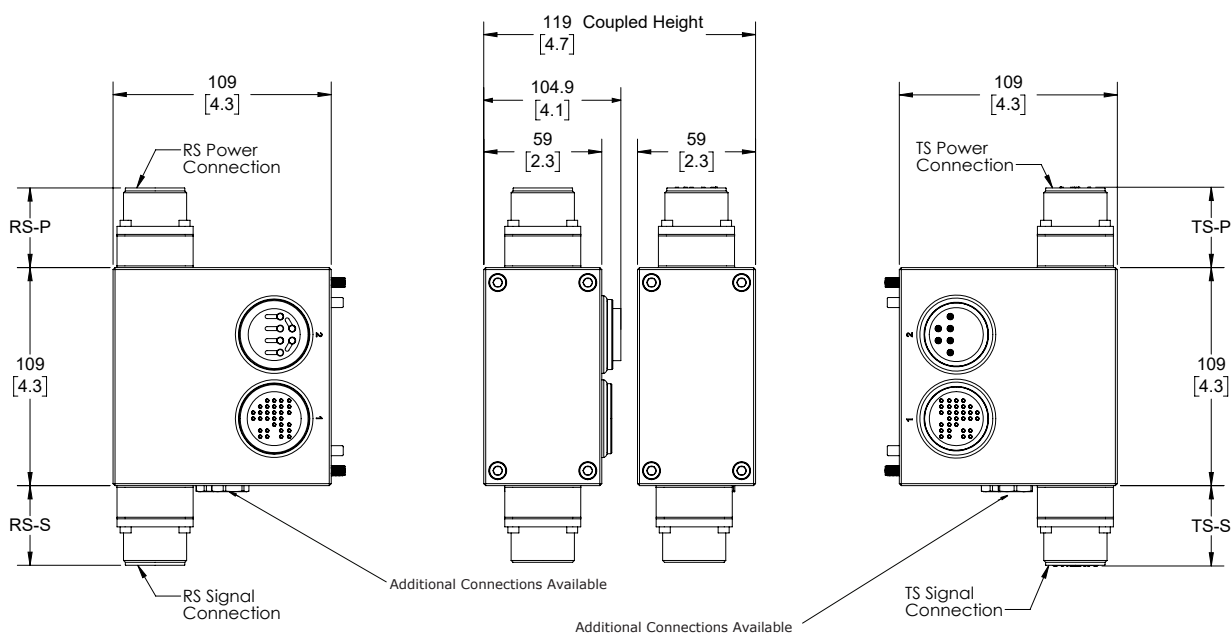
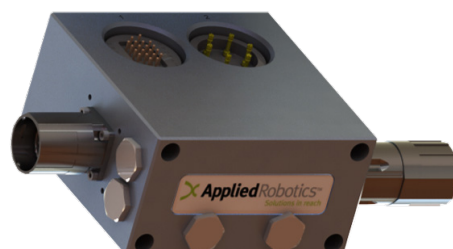


PRODUCT INFORMATION

ROBOT ADAPTOR MODULE



TOOL ADAPTOR MODULE



Mounting Hardware Included

MODEL	RS-P	RS-S	TS-P	TS-S
M23	33.8 (1.3)	25.6 (1.0)	50.2 (2.0)	34.9 (1.4)
MS	39.8 (1.6)	39.8 (1.6)	39.8 (1.6)	39.8 (1.6)

* Dimensions are in millimeters (inches).

** All dimensions are descriptive and subject to variation for technical upgrading. We reserve the right to make variations without prior notification.



Applied Robotics
648 Saratoga Road
Glenville, NY 12302 USA
Tel. +1 518 384 1000 Fax +1.5183841200
info@appliedrobotics.com
www.appliedrobotics.com

EFFECTO GROUP S.p.A.
Via Roma, 141/143
28017 San Maurizio d'Opaglio (NO) - Italy
Tel. +39 0322 96142 Fax +39 0322 967453
LOR#11HFWRP
Z11HFWRP