

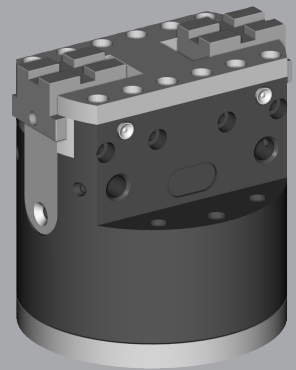
Pneumatic Parallel Grippers

MOP 65-90 2-Finger

MOP is a universal two-finger parallel gripper featuring high repeatability and long service life, suitable for a wide range of industrial applications.

Advantages

- Robust and lightweight housing made of hard coated aluminum alloy.
- Sturdy T-slot with hardened steel gibs for effective jaw guidance, precise handling and easy maintenance.
- Lever design for high-force transmission and jaw synchronization.
- Mounting from two sides in three screw directions for versatile and flexible integration.
- Air supply via hose-free direct connections or fitting screw connections.



SPECIFICATIONS

Model	Stroke Per Jaw	Air Consumption Per Cycle (Dual Stroke)	Closing Force Per Jaw @ 6 bar	Opening Force Per Jaw @ 6 bar	Total Closing Force @ 6 bar	Total Opening Force @ 6 bar	Recommended Workpiece Weight*	Weight	Repeatability
MOP 65	10 mm	31 cm ³	220 N	265 N	440 N	530 N	2.20 kg	0.60 kg	± 0.01 mm
	0.39 in	1.89 in ³	49.5 lb	59.57 lb	98.92 lb	119.15 lb	4.80 lb	1.32 lb	± 0.0004 in
MOP 90	15 mm	106 cm ³	528.28 N	635 N	1056.56 N	1270 N	5.28 kg	1.90 kg	± 0.01 mm
	0.59 in	6.47 in ³	118.8 lb	142.76 lb	237.52 lb	285.51 lb	11.60 lb	4.19 lb	± 0.0004 in

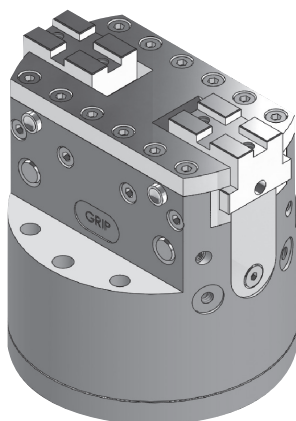
* Recommended workpiece weight is calculated for force-fit gripping with a coefficient of static friction of 0.15 and a safety factor of 3 against workpiece slippage.

Operating Pressure **2 - 12 bar (29 - 174 psi)**

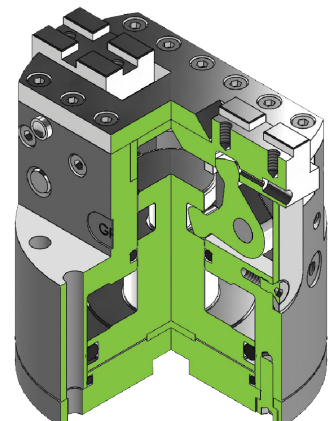
Working Temperature **5 - 60 °C (41 - 140 °F)**

Noise Emission (Sound Pressure) **≤ 70 dB(A) in any direction**

SECTIONAL DIAGRAM

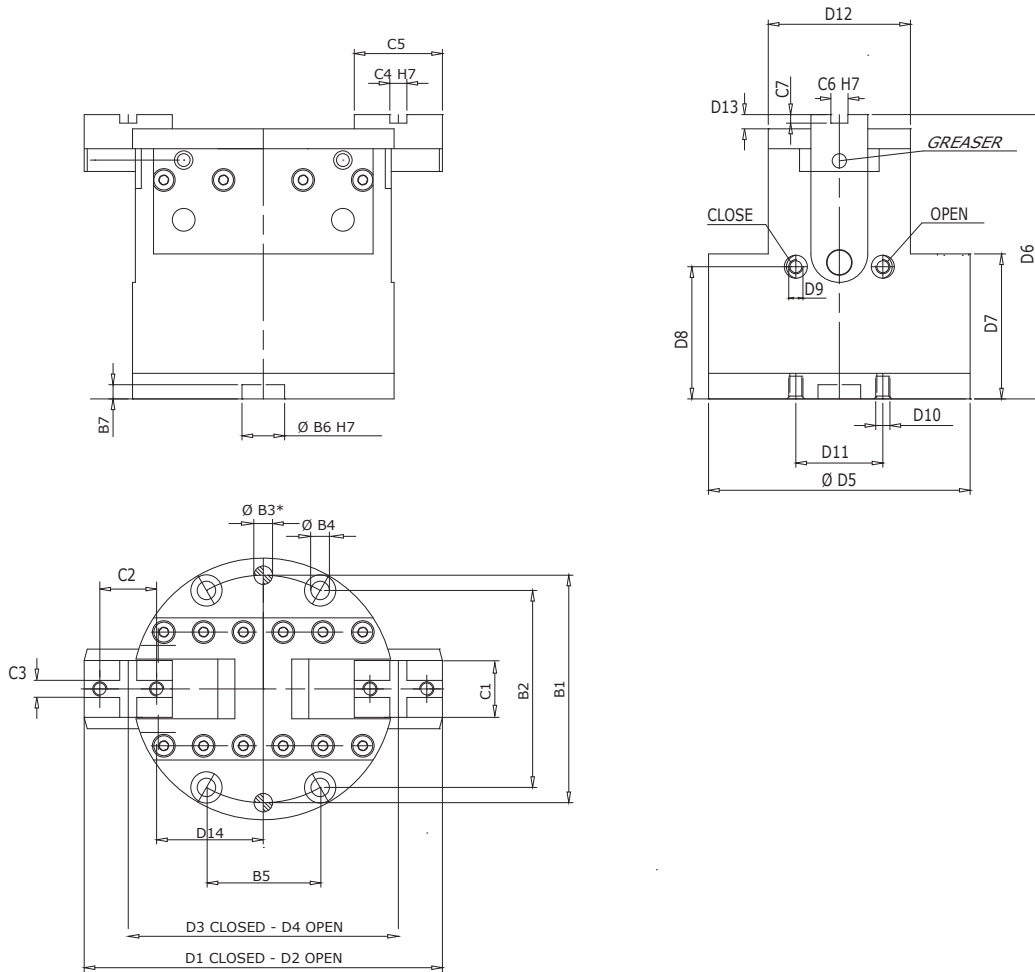


Guidelines for the selection of a gripper model
 Selection of the correct gripper model depends on the workpiece's weight, the friction coefficient between the fingers and the workpiece and the required motion of the application. Due to inertial forces associated with motion, we recommend that the holding force of the gripper model should be from 10 to 20 times the workpiece's weight. If the application presents high acceleration/deceleration or impacts during the motion, then a further safety margin should be considered.



PRODUCT INFORMATION

MOP 65-90 2-Finger



* Finished holes on request

Mounting - Option # 2

	B1	B2	B3	B4	B5	B6	B7
MOP 65	55 (2.17)	49 (1.93)	6 (0.24)	5.5 (0.22)	25 (0.98)	12 (0.47)	5 (0.20)
MOP 90	80 (3.15)	69.28 (2.73)	6 (0.24)	6.5 (0.26)	40 (1.57)	15 (0.59)	5 (0.20)

Finger Application

Informational Dimensions

	C1	C2	C3	C4	C5	C6	C7	D1	D2	D3	D4	D5	D6	D7	D8	D9	D10	D11	D12	D13	D14
MOP 65	24 (0.95)	21 (0.83)	M5	6 (0.24)	33.5 (1.32)	16 (0.63)	3.5 (0.14)	67.5 (2.66)	87.5 (3.44)	33.5 (1.32)	53.5 (2.11)	65 (2.56)	79 (3.11)	40 (1.57)	34 (1.34)	M5	M5	21.5 (0.85)	45 (1.77)	6 (0.24)	23 (0.91)
MOP 90	28 (1.10)	20 (0.79)	M5	6 (0.24)	31 (1.22)	20 (0.79)	3 (0.12)	96 (3.78)	126 (4.96)	65 (2.56)	95 (3.74)	92 (3.62)	100 (3.94)	51 (2.01)	46.5 (1.83)	M5	M5	30.6 (1.20)	50 (1.97)	5 (0.20)	37 (1.46)

* Dimensions are in millimeters (inches).

** All dimensions are descriptive and subject to variation for technical upgrading. We reserve the right to make variations without prior notification



Applied Robotics
648 Saratoga Road

Glennville, NY 12302 USA
Tel. +1 518 384 1000 Fax +1.5183841200
info@appliedrobotics.com
www.appliedrobotics.com



EFFECTO GROUP S.p.A.
Via Roma, 141/143

28017 San Maurizio d'Opaglio (NO) - Italy
Tel. +39 0322 96142 Fax +39 0322 967453
info@effecto.com
www.effecto.com

