

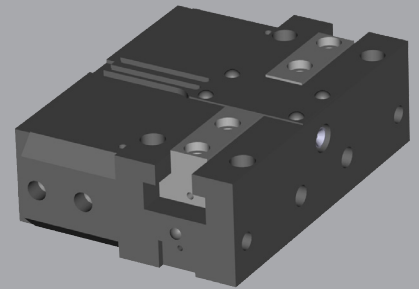
# Pneumatic Parallel Grippers

## QPG-tech 2-Finger

QPG-Tech is a universal two-finger parallel gripper featuring high repeatability and long service life, suitable for a wide range of industrial applications.

### Advantages

- Robust and lightweight housing made of hard-coated aluminum alloy.
- Sturdy T-slot with hardened steel gibs for effective jaw guidance, precise handling, and easy maintenance.
- Compact dimensions for minimal impact in space sensitive applications.
- Mounting from one side in two screw directions for versatile and flexible integration.
- Integrated permanent magnets for direct monitoring of piston movement.
- Slots for mounting and positioning of magnetic-field sensors.
- Air supply via hose-free direct connections or fitting screw connections.



## SPECIFICATIONS

Model	Stroke Per Jaw	Air Consumption Per Cycle (Dual Stroke)	Closing Force Per Jaw @ 6 bar	Opening Force Per Jaw @ 6 bar	Total Closing Force @ 6 bar	Total Opening Force @ 6 bar	Recommended Workpiece Weight*	Weight	Repeatability
QPG - TECH 208	8 mm	28 cm <sup>3</sup>	325 N	260 N	650.0 N	520.0 N	3.25 kg	0.80 kg	± 0.01 mm
	0.31 in	1.71 in <sup>3</sup>	73.1 lb	58.4 lb	146.1 lb	116.9 lb	7.20 lb	1.76 lb	± 0.004 in
QPG - TECH 210	10 mm	56 cm <sup>3</sup>	505 N	420 N	1010.0 N	840.0 N	5.05 kg	1.35 kg	± 0.01 mm
	0.39 in	3.42 in <sup>3</sup>	113.5 lb	94.4 lb	227.0 lb	188.8 lb	11.10 lb	2.97 lb	± 0.004 in
QPG - TECH 212	13 mm	115 cm <sup>3</sup>	810 N	680 N	1620.0 N	1360.0 N	8.10 kg	2.30 kg	± 0.01 mm
	0.51 in	7.02 in <sup>3</sup>	182.1 lb	152.9 lb	364.2 lb	305.7 lb	17.80 lb	5.06 lb	± 0.004 in
QPG - TECH 216	16 mm	228 cm <sup>3</sup>	1300 N	1090 N	2600.0 N	2180.0 N	13.00 kg	4.20 kg	± 0.01 mm
	0.63 in	13.91 in <sup>3</sup>	292.2 lb	245.0 lb	584.5 lb	490.1 lb	28.60 lb	9.24 lb	± 0.004 in
QPG - TECH 220	20 mm	452 cm <sup>3</sup>	2020 N	1770 N	4040.0 N	3540.0 N	20.20 kg	8.00 kg	± 0.01 mm
	0.79 in	27.57 in <sup>3</sup>	454.1 lb	397.9 lb	908.2 lb	795.8 lb	44.40 lb	17.60 lb	± 0.004 in
QPG - TECH 230	30 mm	1392 cm <sup>3</sup>	4050 N	3730 N	8100.0 N	7460.0 N	40.50 kg	22.00 kg	± 0.01 mm
	1.18 in	84.91 in <sup>3</sup>	910.4 lb	838.5 lb	1820.9 lb	1677.0 lb	89.10 lb	48.40 lb	± 0.004 in

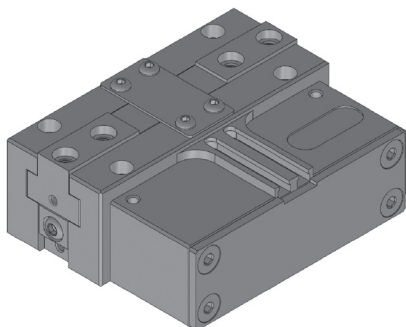
\* Recommended workpiece weight is calculated for force-fit gripping with a coefficient of static friction of 0.15 and a safety factor of 3 against workpiece slippage.

Operating Pressure **2 - 12 bar (29 - 174 psi)**

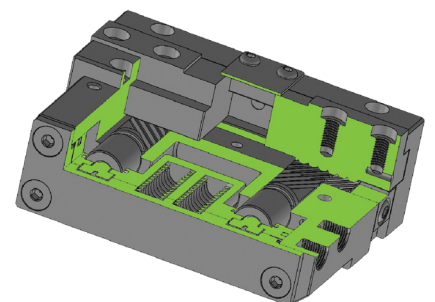
Working Temperature **5 - 60 °C (41 - 140 °F)**

Noise Emission (Sound Pressure) **≤ 70 dB(A) in any direction**

## SECTIONAL DIAGRAM



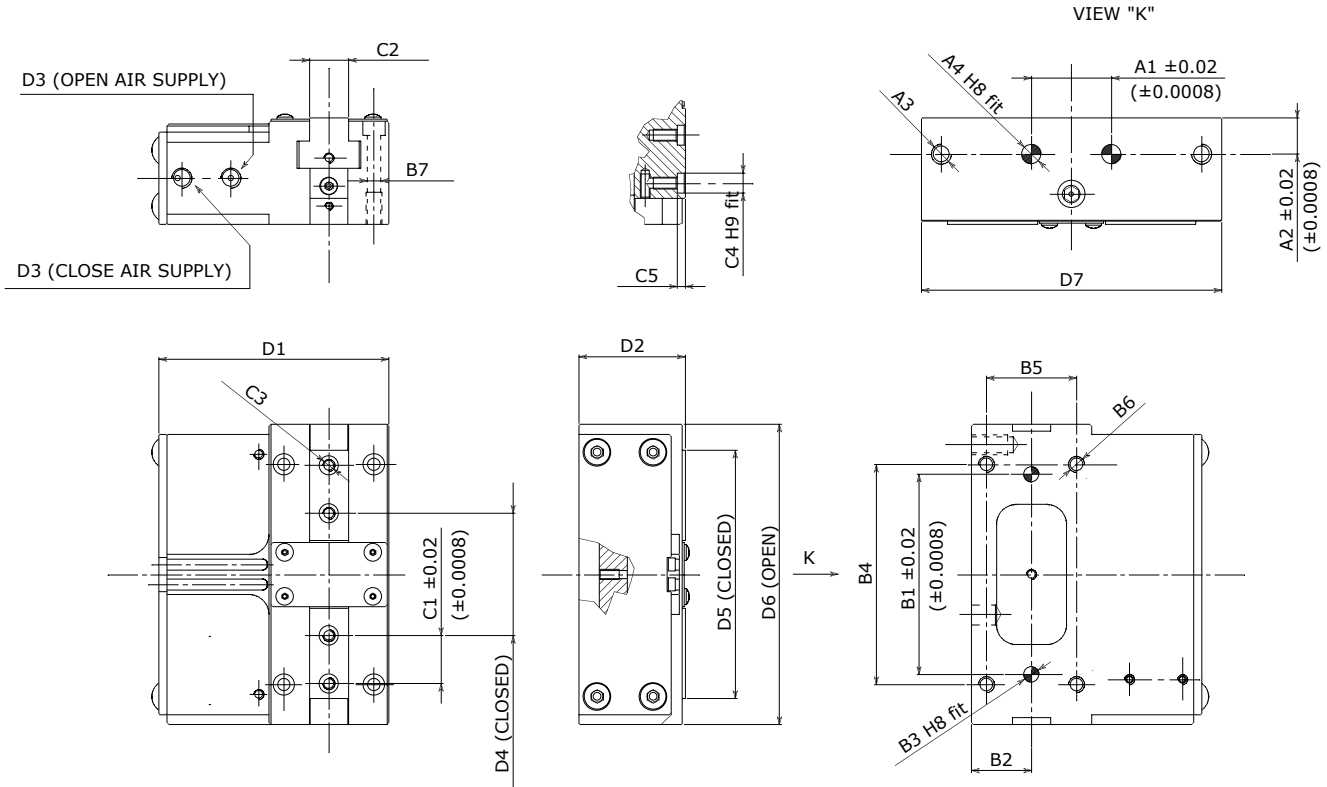
**Guidelines for the selection of a gripper model**  
 Selection of the correct gripper model depends on the workpiece's weight, the friction coefficient between the fingers and the workpiece and the required motion of the application. Due to inertial forces associated with motion, we recommend that the holding force of the gripper model should be from 10 to 20 times the workpiece's weight. If the application presents high acceleration/deceleration or impacts during the motion, then a further safety margin should be considered.



# PRODUCT INFORMATION

# QPG-tech 2-Finger

Body dowel hole depth  $\geq 1 d$



### Options

- Magnetic switches

	Mounting - Option # 1				Mounting - Option # 2						Finger Application					Informational Dimensions						
	A1	A2	A3	A4	B1	B2	B3	B4	B5	B6	B7	C1	C2	C3	C4	C5	D1	D2	D3	D4	D5	D6
<b>QPG-tech 208</b>	22 (0.87)	12.5 (0.49)	M6	6 (0.24)	65.00 (2.56)	21 (0.83)	5 (0.20)	72 (2.83)	32 (1.26)	M5	4.2 (0.17)	16 (0.63)	12.5 (0.49)	M5	8 (0.31)	3 (0.12)	83.5 (3.29)	39 (1.54)	G1/8	37 (1.46)	82 (3.23)	98 (3.86)
<b>QPG-tech 210</b>	32 (1.26)	15 (0.59)	M8	8 (0.31)	80.00 (3.15)	25 (0.98)	6 (0.24)	86 (3.39)	38 (1.50)	M6	5.2 (0.20)	20 (0.79)	16.5 (0.65)	M6	10 (0.39)	4 (0.16)	96.5 (3.80)	45 (1.77)	G1/8	47 (1.85)	100 (3.94)	120 (4.72)
<b>QPG-tech 212</b>	40 (1.57)	18 (0.71)	M10	10 (0.39)	100.00 (3.94)	30 (1.18)	8 (0.31)	110 (4.33)	45 (1.77)	M8	6.5 (0.26)	24 (0.94)	19.5 (0.77)	M6	10 (0.39)	4 (0.16)	118.5 (4.67)	53 (2.09)	G1/8	61 (2.40)	124 (4.88)	150 (5.91)
<b>QPG-tech 216</b>	50 (1.97)	22 (0.87)	M12	12 (0.47)	130.00 (5.12)	36 (1.42)	10 (0.39)	140 (5.51)	55 (2.17)	M10	8.5 (0.33)	32 (1.26)	22.5 (0.89)	M10	14 (0.55)	5 (0.20)	141 (5.55)	63 (2.48)	G1/4	77 (3.03)	158 (6.22)	190 (7.48)
<b>QPG-tech 220</b>	70 (2.76)	28 (1.10)	M12	12 (0.47)	160.00 (6.30)	50 (1.97)	12 (0.47)	170 (6.69)	70 (2.76)	M12	10.5 (0.41)	40 (1.57)	30.5 (1.20)	M12	16 (0.63)	5 (0.20)	174.5 (6.87)	77 (3.03)	G1/4	86 (3.39)	195 (7.68)	235 (9.25)
<b>QPG-tech 230</b>	100 (3.94)	40 (1.57)	M16	16 (0.63)	220.00 (8.66)	70 (2.76)	16 (0.63)	230 (9.06)	96 (3.78)	M16	13 (0.51)	46 (1.81)	40.5 (1.59)	M16	22 (0.87)	8 (0.31)	241 (9.49)	102 (4.02)	G1/4	135 (5.31)	270 (10.63)	330 (12.99)

\* Dimensions are in millimeters (inches).

\*\* All dimensions are descriptive and subject to variation for technical upgrading. We reserve the right to make variations without prior notification



Applied Robotics  
648 Saratoga Road  
Glenville, NY 12302 USA  
Tel. +1 518 384 1000 Fax +1.5183841200  
info@appliedrobotics.com  
www.appliedrobotics.com



EFFECTO GROUP S.p.A.  
Via Roma, 141/143  
28017 San Maurizio d'Opaglio (NO) - Italy  
Tel. +39 0322 96142 Fax +39 0322 967453  
info@effecto.com  
www.effecto.com

