

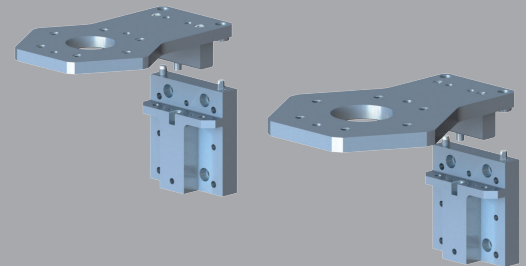
XCHANGE™ Tool Stand Accessory

Medium Duty Tool Mount Assemblies

Medium Duty Tool Mount Assemblies (TMA) allow for the docking/undocking of tools during an automatic tool changing operation.

Advantages:

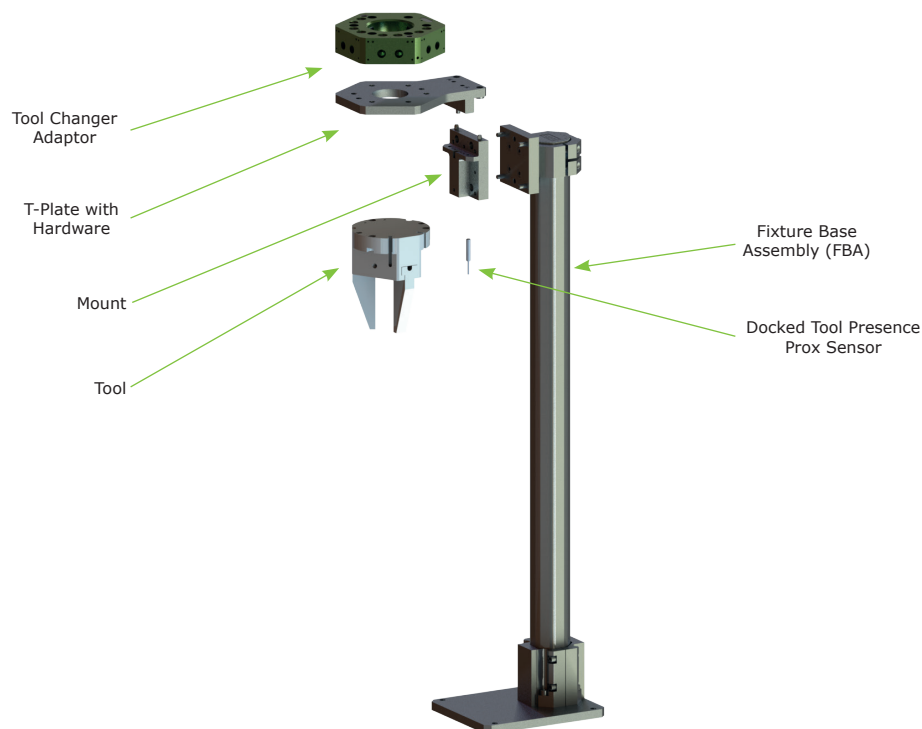
- Accurate docking/undocking location
- Compatible with Fixture Base Assembly (FBA)
- Compatible with Tool Stand Switch
 - Detects when a tool is docked in the mount
- Optional Tool Identification



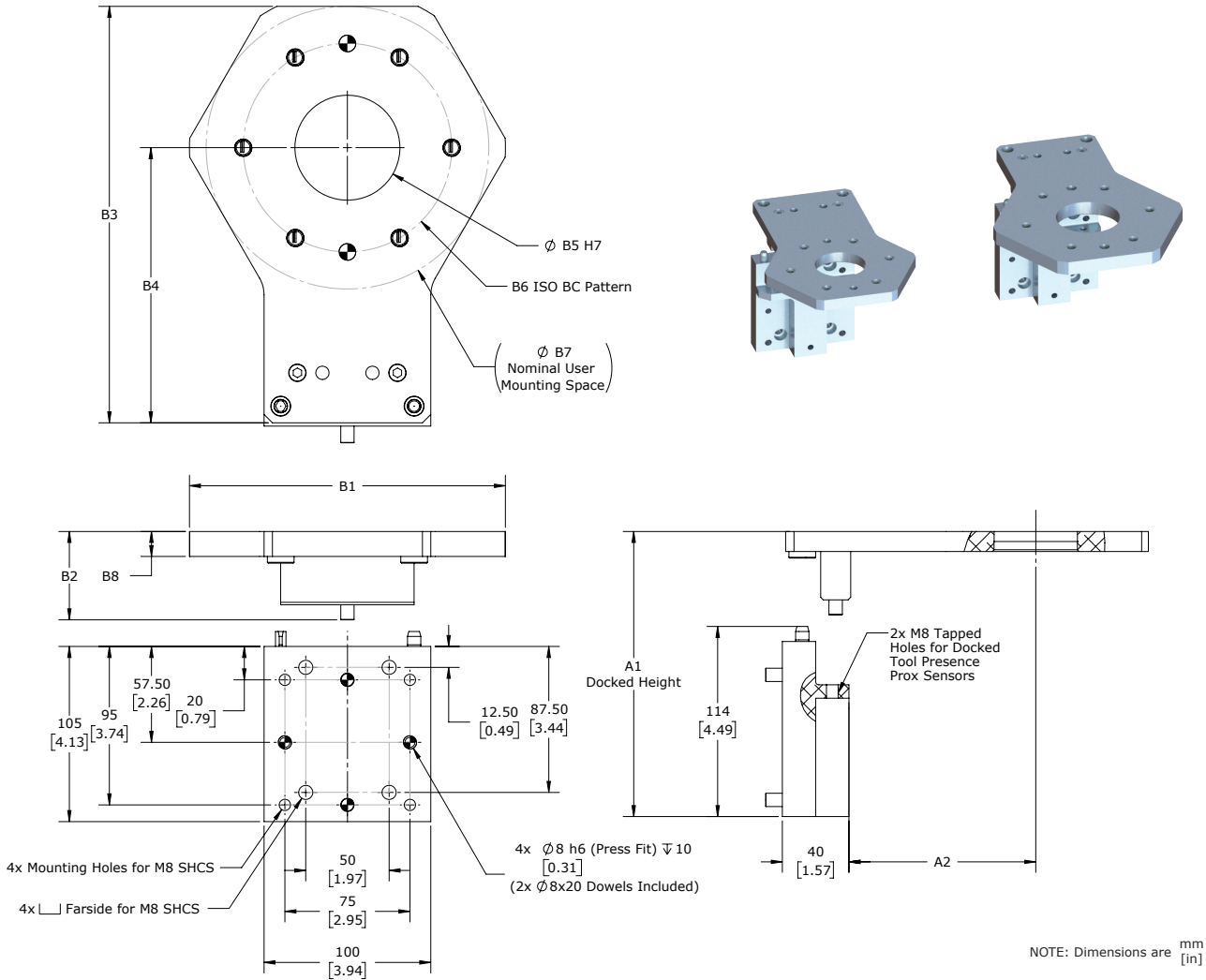
SPECIFICATIONS

| Model | Compatible XCHANGE™ Tool Changers | Compatible XCHANGE™ Fixture Base Assembly | T-Plate Weight kg (lb) | Mount Weight kg (lb) | Max Payload kg (lb) |
|--------------------|-----------------------------------|---|---------------------------|-------------------------|------------------------|
| E80/100 TMA | E80/100 | E125LP-FBA | 0.99 (2.18) | 0.72 (1.59) | 120 (264) |
| E125LP TMA | E125LP | E125LP-FBA | 1.56 (3.44) | 0.72 (1.59) | 120 (264) |

STANDARD CONFIGURATION



PRODUCT INFORMATION



| | Docked | | | | T-Plate | | | | | |
|--------------------|---------------|---------------|-----------------|--------------|------------------|---------------|--------------|----------------------------------|-----------------|--------------|
| | A1 | A2 | B1 | B2 | B3 | B4 | B5 | B6 | B7 | B8 |
| E80/100 TMA | 121 (4.76) | 112 (4.41) | 151.5 (5.96) | 50 (1.97) | 217.5 (8.56) | 150 (5.91) | 50 (1.97) | 100mm | 135 (5.31) | 12 (0.47) |
| E125LP TMA | 124 (4.88) | 127 (5.00) | 189.5 (7.46) | 53 (2.09) | 249.75 (9.83) | 165 (6.50) | 63 (2.48) | 125mm (2 Positions Available) | 169.5 (6.67) | 15 (0.59) |

* Dimensions are in millimeters (inches).

** All dimensions are descriptive and subject to variation for technical upgrading. We reserve the right to make variations without prior notification



Applied Robotics
648 Saratoga Road
Glenville, NY 12302 USA
Tel. +1 518 384 1000 Fax +1.5183841200
info@appliedrobotics.com
www.appliedrobotics.com



EFFECTO GROUP S.p.A.
Via Roma, 141/143
28017 San Maurizio d'Opaglio (NO) - Italy
Tel. +39 0322 96142 Fax +39 0322 967453
info@effecto.com
www.effecto.com

