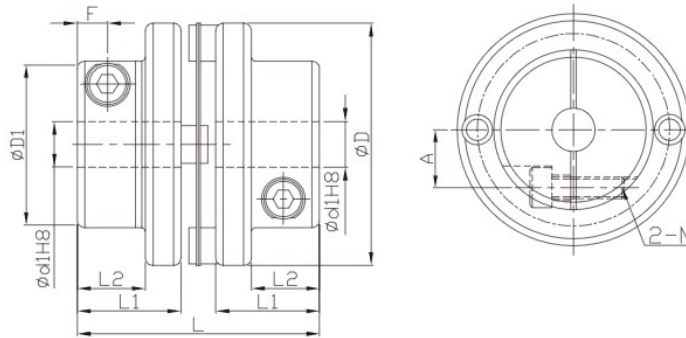


FACTS



- Hard torque load \ high torque rigidity and excellent sensibility.
- Zero rotation backlash.
- Dual stainless steel disk to correct angular and axial deviation.
- No correction for radial deviation.
- Clockwise character is exactly the same as anti-clockwise one.
- Free maintenance, oil-resist and anti-corrosiveness.
- FACTS can't allow axial deviation caused by offset.
- Offset of angular, parallel, or axial deviation are individual allowed value, so couple reasons of axial offset appearing at same time would reduce the unit allowable value.



| Component | Material | Surface Finish | Accessories |
|------------|----------------|----------------|----------------------|
| Main frame | Aluminum Alloy | Anodized | Hexagon Socket Screw |
| Disk | SUS301 | — | |
| Pin | SUS303 | | |

| Model No. | ØD | ØD1 | Ød1&Ød2 selection *Ød1 ≤ Ød2 | | | | | | | | | | | | | L | L1 | L2 | A | F | Clamping screw | | | |
|-----------|----|-----|------------------------------|---|---|----|----|----|----|----|----|----|----|----|----|---|----|----|------|----|----------------|-------------------|---|-----|
| | | | 6 | 7 | 8 | 10 | 11 | 12 | 14 | 15 | 16 | 18 | 19 | 20 | 25 | | | | | | M | Lock torque (N·m) | | |
| FACTS | 32 | 22 | • | • | • | • | | | | | | | | | | | | 32 | 13.7 | 9 | 8 | 4 | 3 | 1.5 |
| | 40 | 28 | | • | • | • | • | • | • | | | | | | | | | 38 | 16.5 | 12 | 10.5 | 6 | 4 | 2.5 |
| | 50 | 39 | | | | | | • | • | • | • | • | • | • | | | | 44 | 19.4 | 15 | 14.8 | 7 | 5 | 7 |
| | 63 | 45 | | | | | | | | | | | • | • | • | • | • | 50 | 22.3 | 18 | 17 | 8 | 6 | 12 |

*Moment of inertial torque and weight calculated by maximum diameter.

| Model No. | ØD | Allowable Wrench Torque (N·m) | Allowable Misalignment | | Static Torsional Stiffness (N·m/rad) | Max. RPM (r/min ⁻¹) | ★ Moment of Inertia (kg·m ²) | ★ Weight (g) |
|-----------|----|-------------------------------|------------------------|------------|--------------------------------------|---------------------------------|------------------------------------------|--------------|
| | | | Angular (°) | Axial (mm) | | | | |
| FACTS | 32 | 2 | 1 | ±0.2 | 1300 | 4800 | 4.5*10 ⁻⁶ | 38 |
| | 40 | 4 | | | 2800 | 3800 | 1.2*10 ⁻⁵ | 66 |
| | 50 | 7.5 | | | 3700 | 3100 | 3.7*10 ⁻⁵ | 120 |
| | 63 | 10 | | | 5000 | 2400 | 8.4*10 ⁻⁵ | 190 |

Ordering Example: FACTS32 - 10 - 12 - 100 PCS
 Model no. Ød1 Ød2 Q'ty