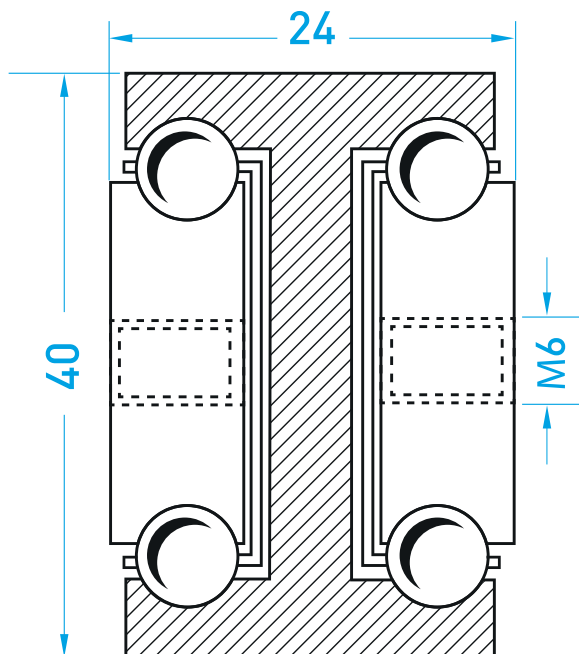


MILUXOR**TELESKOPSCHIENEN**

YOUR MANUFACTURER FOR TELESCOPIC RAILS FOR HEAVY LOADS

MX-DTP 40**MX-DTP 40 load table**

Type: MX-DTP 40 Article-No. MX -DTP 40

Article No.	Installation length	Load in kg *
DTP40 .030	300	240
DTP40.035	350	260
DTP40.040	400	280
DTP40.045	450	300
DTP40.050	500	310
DTP40.055	550	330
DTP40.060	600	340
DTP40.065	650	340
DTP40.070	700	330
DTP40.075	750	325
DTP40.080	800	320
DTP40.085	850	315
DTP40.090	900	310
DTP40.095	950	305
DTP40.100	1000	300

MX-DTP 40 FULL-EXTRACT

The MX-DTP 40 fully extending rails offers high load capacity with a small footprint. Depending on the length, it is fastened by 4 or 6 M6 threaded holes in the middle.

Extension length = installation length

Overall length = installation length + extension length

Other lengths on request

*Load per pair in extended position, even weight distribution and vertical installation.