

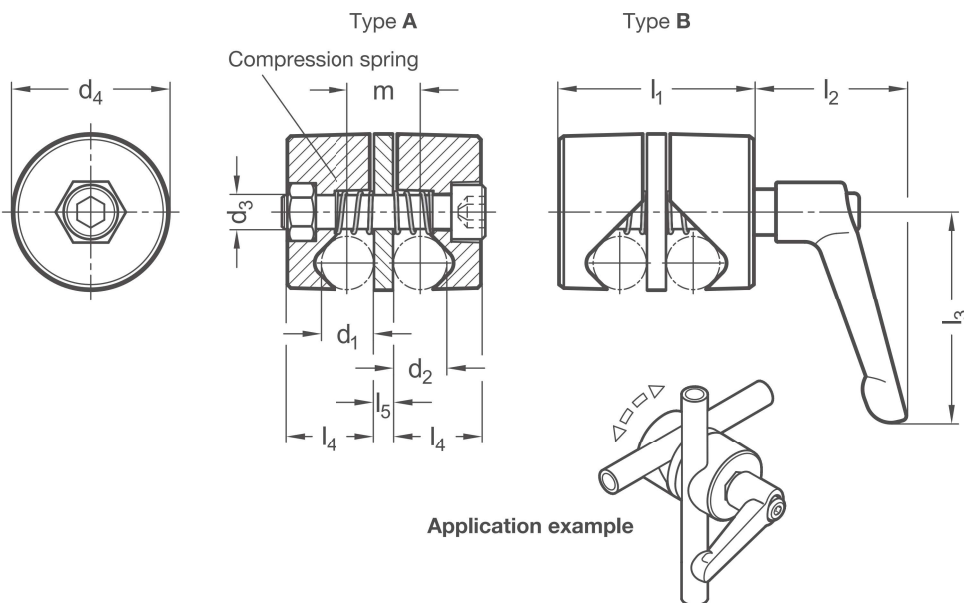


PRODUCT INFO

Swivel joint clamps GMV are made of forged or die-cast aluminum or precision-cast stainless steel.

They clamp rods and tubes with a V-block arrangement and are capable of bridging a large diameter tolerance range. The compression spring keeps the clamp halves spaced out, simplifying both clamping and releasing.

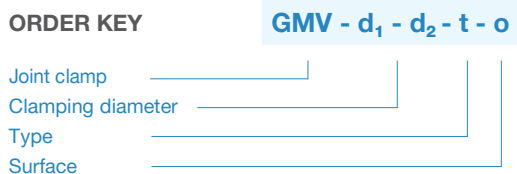
RoHS-compliant product



Clamping diameter d₁	Clamping diameter d₂	d₃	d₄	l₁	l₂	l₃	l₄	l₅	m
8	8	M 6	28	33	35	45	14	5	13
10	10	M 8	32	45	45	63	20	5	15
12	12	M 8	36	47	45	63	21	5	17
14	14	M 8	46	57	55	78	25,5	6	20
15	15	M 10	46	57	55	78	25,5	6	21
16	16	M 10	46	57	55	78	25,5	6	22
18	18	M 10	56	63	55	78	28,5	6	24
20	20	M 10	56	65	55	78	28,5	8	28

Type t	
2	Hex socket cap screw stainless steel (DIN 912-A2-70 and hex nut DIN 934-A2)
8	with adjustable hand lever, lever zinc-die-cast textured powder-coated, Silver RAL 9006 for surface 2 / G Lever stainless steel precision-cast AISI CF-8, blasted, matt for surface ED, Threaded insert stainless steel AISI 303, screw A1 and hex nut DIN 934-A2

Surface o	
2	Aluminum, textured powder-coated, Black RAL 9005
G	Aluminum glide coating, matt
ED	Stainless steel, blasted, matt



ON REQUEST

- Clamping point with special diameter
- Screw point with hex head screw
- Surface anodized in other colors
- Retaining magnet