



PRODUCT INFO

Stainless steel adjustable hand levers HEK are made of precision-cast stainless steel. The screw and nut inserts installed here are made of turned stainless steel and have a rolled or shaped thread.

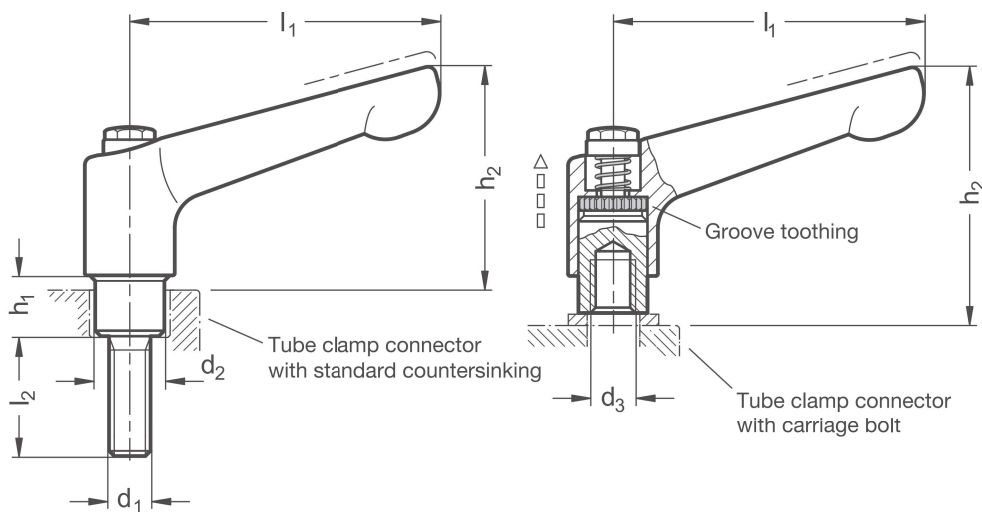
Stainless steel adjustable hand levers HEK are specially designed as accessories for use at the screw points of clamps. They replace the hex socket cap screws DIN 912 and cap nuts DIN 917 and are used where repeated tool-free clamping is required.

The threaded insert is connected to the handle by groove tothing such that it can be disengaged. Lifting the lever releases the engagement, and the hand lever can be swiveled to a favorable position.

The clamping force achievable with an adjustable hand lever is lower than with tool-operated hex socket cap screws due to the shorter adjustable hand lever length.

The tables for the respective clamps contain the appropriate and recommended hand lever sizes for each thread dimension.

RoHS-compliant product



Adjustable hand levers with male thread

l_1	d_1	l_2	d_2	h_1	$h_2 \approx$
45	M 6	20	10	9	34
63	M 6	20	10	12	44

Adjustable hand levers with female thread

l_1	d_3	$h_2 \approx$
63	M 8	45
78	M 8	54
78	M 10	54
92	M 10	64

Surface

\circ	
ED	Adjustable hand lever precision-cast stainless steel AISI CF-8 (A2), matt blasted / threaded insert stainless steel AISI 303 (A1)

ON REQUEST

- Surface
ball-burnished, anodized or powder-coated in other RAL colors

Stainless steel adjustable hand levers with male thread

ORDER KEY

HEK - l_1 - d_1 - l_2 - \circ



Stainless steel adjustable hand levers with female thread

ORDER KEY

HEK - l_1 - d_3 - \circ

