



PRODUCT INFO

Adjustable hand levers HSK are made of powder-coated zinc die-cast. The screw inserts installed here are made of turned stainless steel and have a rolled thread.

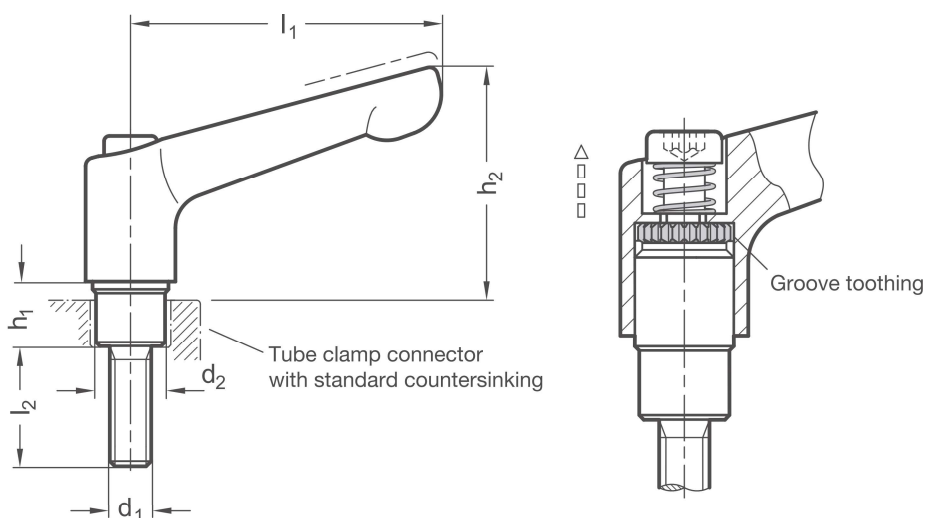
Adjustable hand levers HSK are specially designed as accessories for use at the screw points of clamps. They replace the hex socket cap screws DIN 912 and are used where repeated tool-free clamping is required.

The threaded insert is connected to the handle by groove tothing such that it can be disengaged. Lifting the lever releases the engagement, and the hand lever can be swiveled to a favorable position.

The clamping force achievable with an adjustable hand lever is lower than with tool-operated hex socket cap screws due to the shorter lever length.

The tables for the respective clamps contain the appropriate and recommended hand lever sizes for each thread dimension.

RoHS-compliant product



l_1	d_1	l_2				d_2	h_1	$h_2 \approx$
45	M 6	20	-	-	-	10	9	34
63	M 6	20	-	-	-	10	12	44
63	M 8	25	30	35	50	13	12,5	42
78	M 8	25	30	35	50	13	15	52
78	M 10	35	50	55	60	16	16	50
92	M 10	35	50	55	60	16	16	60

Surface	
2	Adjustable hand lever zinc die-cast, black texture powder-coated RAL 9005 / threaded insert stainless steel AISI 303 (A1)

ORDER KEY

HSK - l_1 - d_1 - l_2 - o



ON REQUEST

- Adjustable hand levers surface powder-coated in other RAL colors
- Threaded insert in zinc-plated steel