



PRODUCT INFO

Swivel clamp mountings LG are made of drawn aluminum profiles and have a slitted clamping point and a smooth clamping lug, both machined by cutting methods.

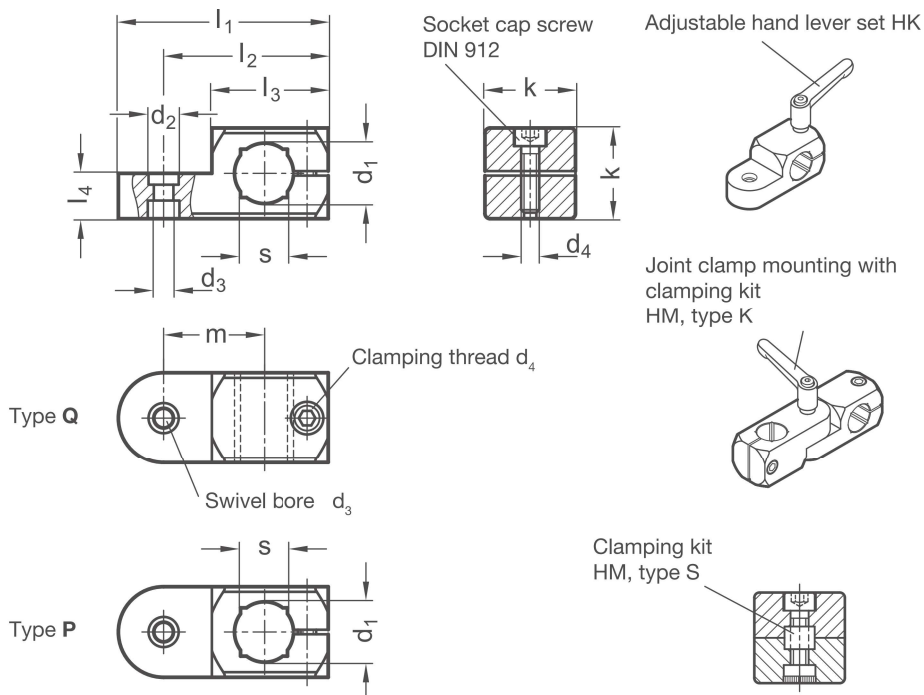
The lug is arranged perpendicular or parallel to the bore of the clamping point, which receives rods and tubes with round cross-sections or also square cross-sections via the optionally incorporated square bore.

For clamping, a socket cap screw DIN 912-A2-70 combines with the clamping thread to reduce the bore cross-section. For regular tool-free clamping, adjustable hand lever sets are available as accessories under the designation HK.

Swivel clamp mountings LG can be combined with other swivel clamp mountings with identical k dimensions to create any kind of joint clamp mounting. Clamping kits HM are available, type S with a screw and type K with an adjustable hand lever.

The relevant dimensions for ordering the clamping kits are found in the dimensions table.

RoHS-compliant product



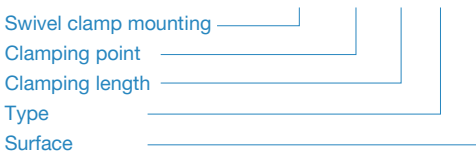
Clamping point Bore <b>d<sub>1</sub></b>	<b>k</b>	<b>d<sub>2</sub></b>	Swivel bore <b>d<sub>3</sub></b>	Clamping thread <b>d<sub>4</sub></b>	<b>l<sub>1</sub></b>	<b>l<sub>2</sub></b>	<b>l<sub>3</sub></b>	<b>l<sub>4</sub></b>	<b>m</b>	Square <b>s</b>	Accessories	
											Clamping kit HM for <b>d<sub>3</sub></b>	Hand lever set HK for <b>d<sub>4</sub></b>
B 8	16	7	4,5	M 4	40	32	23	18,5	8	-	M 4-16	M 4-16
B 10	20	8,5	5,5	M 5	50	40	29	23	10	8	M 5-20	M 5-20
B 12	20	8,5	5,5	M 5	50	40	29	23	10	10	M 5-20	M 5-20
B 15	25	10	6,5	M 6	62	49,5	36	29	12,5	12	M 6-25	M 6-25
B 16	25	10	6,5	M 6	62	49,5	36	29	12,5	-	M 6-25	M 6-25
B 20	30	10	6,5	M 6	70	55	39	33,5	15	16	M 6-30	M 6-30

Type <b>t</b>	
Q	Clamping bore perpendicular to the lug axis
P	Clamping bore parallel to the lug axis

Surface <b>o</b>	
G	Tumbled, matt
S	Anodized black

**ORDER KEY**

**LG - d<sub>1</sub> - k - t - o**



**ACCESSORIES**

- Clamping kit **HM** see page 174
- Adjustable hand lever set **HK** see page 172

**ON REQUEST**

- Clamping point with special diameter
- Screw point with hex head screw
- Surface anodized in colors