

PRODUCT INFO

Swivel clamps LKQ of die-cast aluminum or precision-cast stainless steel have a slitted clamping point machined by cutting methods and a smooth fastening lug.

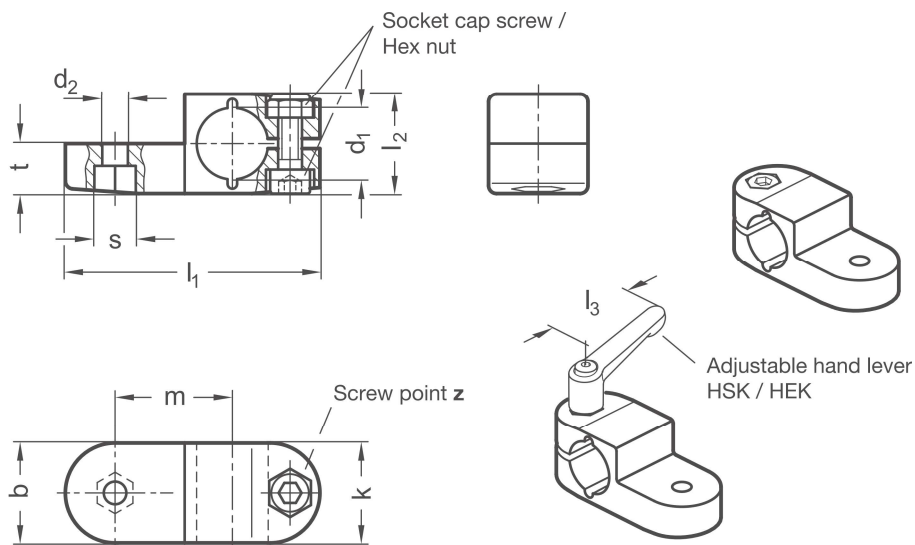
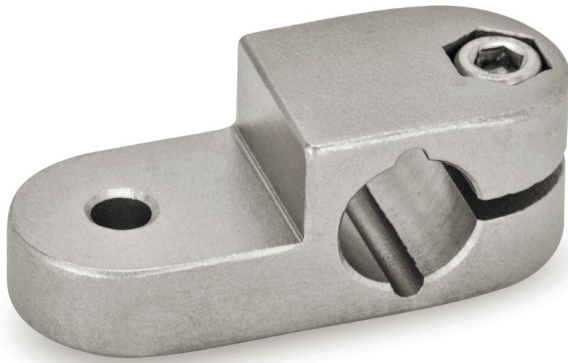
The fastening lug is centered and perpendicular to the axis of the bore, which receives typically available rods and tubes with full contact over the entire cross-section.

The screw point of the fastening lug receives hex head or hex socket cap screws or a lock nut for fastening any additional parts. At the clamping point, a hex socket cap screw or an adjustable hand lever reduces the bore cross-section for clamping.

By combining swivel clamps with identical screw points, it is possible to assemble any type of joint clamp.

Adjustable hand levers are intended for repeated, tool-free clamping. Under the designation HSK or HEK, these are available separately for individual use and in other designs. Compared with the tool-operated hex socket cap screw, the clamping force achievable with an adjustable hand lever is lower due to the shorter lever length.

RoHS-compliant product



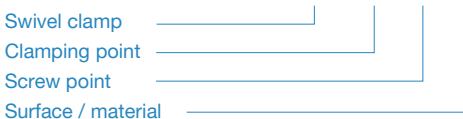
Clamping point		Lug width b	d₂	k	l₁	l₂	m	s	t	Hex socket cap screw	Accessories recom. hand lever for z	
Bore d₁	Aluminum										Stainless steel	HSK for aluminum clamp lever length l₃
B 12	B 12	25	6,5	25	64	25	29,5	10	12,5	M 6-20	63	-
B 14	B 14	25	6,5	25	64	25	29,5	10	12,5	M 6-20	63	-
B 15	B 15	25	6,5	25	64	25	29,5	10	12,5	M 6-20	63	-
B 16	B 16	25	6,5	25	64	25	29,5	10	12,5	M 6-20	63	63
B 18	B 18	25	6,5	25	64	25	29,5	10	12,5	M 6-20	63	63
-	B 20	25	6,5	25	64	25	29,5	10	12,5	M 6-20	-	63

Screw point z	
1	Hex socket cap screw steel, zinc-plated DIN 912-8.8 and lock nut steel DIN 985-8, zinc-plated (only for aluminum clamps)
2	Hex socket cap screw stainless steel DIN 912-A2-70 and lock nut stainless steel DIN 985-A2, glide coating

Surface / material o	
2	Aluminum, textured powder-coated, Black RAL 9005
8	Aluminum, blasted, matt
ED	Stainless steel, blasted, matt

ORDER KEY

LKQ - d₁ - z - o



ACCESSORIES

- Adjustable hand levers **HSK** see page 168
- Stainless steel adjustable hand levers **HEK** see page 170

ON REQUEST

- Clamping point with special diameter
- Screw point with hex head screw
- Surface ball-burnished, anodized or powder-coated in other RAL colors

2D
2C
2B
2A
1D
1C
1B
1A