



### PRODUCT INFO

**Swivel clamps LMQ** of die-cast aluminum have a split clamping point with round or square cross-section that has been partially machined by cutting methods. The fastening lug has a smooth surface.

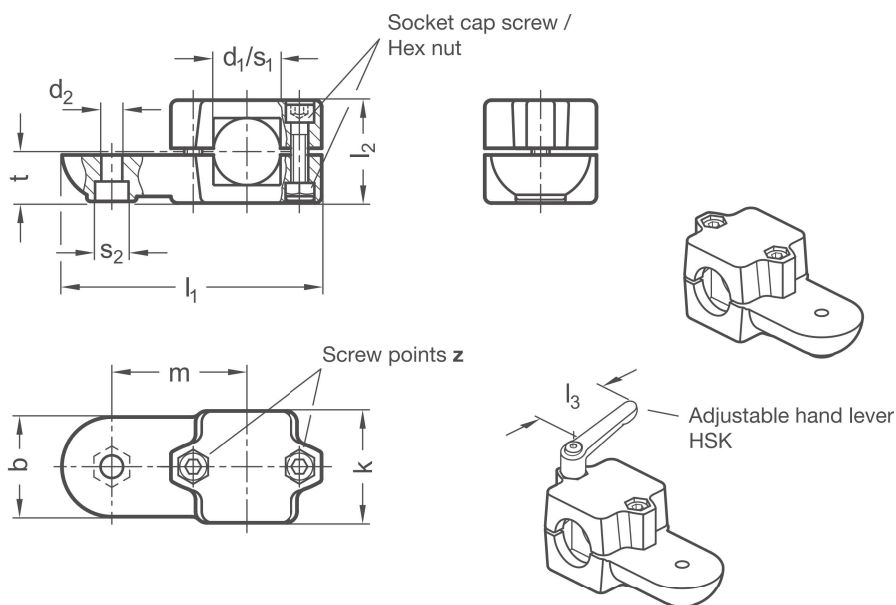
The fastening lug is centered and perpendicular to the axis of the bore, which receives typically available construction tubes via multiple ribs in the cross-section.

The screw point of the fastening lug receives a hex head or hex socket cap screw or a lock nut for fastening any additional parts. At the clamping point, hex socket cap screws or adjustable hand levers reduce the bore cross-section for clamping.

By combining swivel clamps that have identical fastening lugs, it is possible to assemble any type of joint clamp.

Adjustable hand levers are intended for repeated, tool-free clamping. Under the designation HSK, these are available separately for individual use and in other designs. Compared with the tool-operated hex socket cap screw, the clamping force achievable with an adjustable hand lever is lower due to the shorter lever length.

**RoHS-compliant product**



Clamping point		Lug width <b>b</b>	<b>d<sub>2</sub></b>	Clamping length <b>k</b>	<b>l<sub>1</sub></b>	<b>l<sub>2</sub></b>	<b>m</b>	<b>s<sub>2</sub></b>	<b>t</b>	Hex socket cap screws	Accessories recom. hand lever
Bore <b>d<sub>1</sub></b>	Square <b>s<sub>1</sub></b>										HSK for z lever length <b>l<sub>3</sub></b>
B 40	V 40	65	10,5	76	166,5	70	85	17	35	M 10-60	92
B 42	-	65	10,5	76	166,5	70	85	17	35	M 10-60	92
B 45	V 45	65	10,5	76	166,5	70	85	17	35	M 10-60	92
B 48	-	65	10,5	76	166,5	70	85	17	35	M 10-60	92
B 50	V 50	65	10,5	76	166,5	70	85	17	35	M 10-60	92

Type <b>t</b>	
OZ	Without centering step (smooth)

Screw points <b>z</b>	
1	Hex socket cap screw steel, zinc-plated DIN 912-8.8 and lock nut steel DIN 985-8, zinc-plated
2	Hex socket cap screw stainless steel DIN 912-A2-70 and lock nut stainless steel DIN 985-A2, glide coating

Oberfläche <b>o</b>	
2	textured powder-coated, Black RAL 9005
8	blasted, matt

**ORDER KEY**

**LMQ - d<sub>1</sub> / s<sub>1</sub> - t - z - o**



**ACCESSORIES**

– Adjustable hand levers **HSK** see page 168

**ON REQUEST**

- Clamping point with special diameter
- Screw points with hex head screws or mixed screw / adjustable hand lever elements
- Surface ball-burnished, anodized or powder-coated in other RAL colors

2D  
2C  
2B  
2A  
1D  
1C  
1B  
1A