



PRODUCT INFO

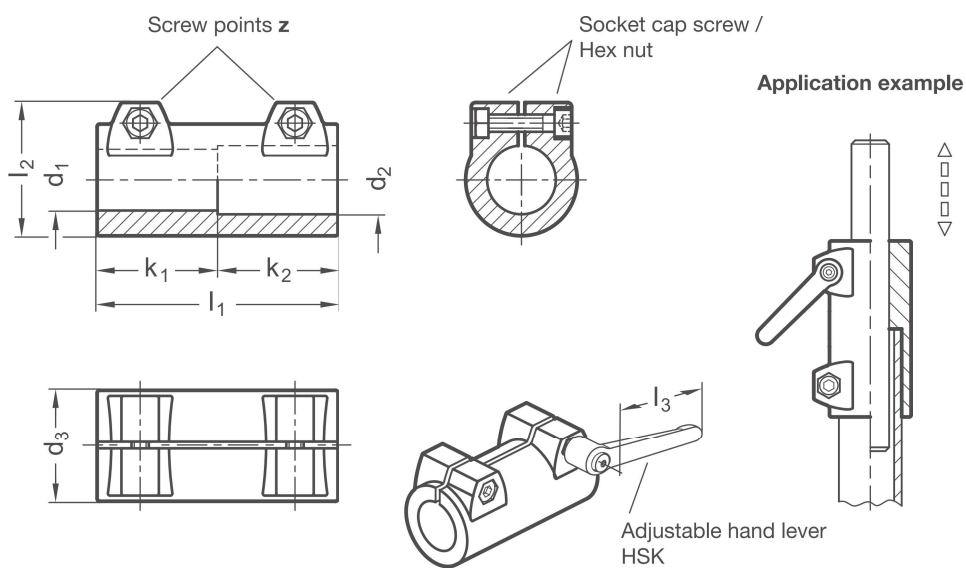
Sleeve clamps MS of die-cast aluminum have slitted clamping points machined by cutting methods.

The clamping point bores are situated concentrically on an axis. They receive typically available construction tubes with full surface contact over the entire cross-section of the bore.

At the screw points, hex socket cap screws or adjustable hand levers reduce the bore cross-section for clamping.

Adjustable hand levers are intended for repeated, tool-free clamping. Under the designation HSK, these are available separately for individual use and in other designs. Compared with the tool-operated hex socket cap screw, the clamping force achievable with an adjustable hand lever is lower due to the shorter lever length.

RoHS-compliant product



Clamping point 1	Clamping point 2		d_3	Clamping length k_1	Clamping length k_2	l_1	l_2	Hex socket cap screws	Accessories recom. hand lever
	Bore d_1	Bore d_2							HSK for z lever length l_3
B 20	B 20	B 25	40	45	45	90	52	M 8-25	-
B 25	B 25	B 30	40	45	45	90	52	M 8-25	78
B 30	B 30	-	40	45	45	90	52	M 8-35	78
B 40	B 40	B 50	65	70	70	140	77,5	M 10-50	-
B 42	B 42	-	65	70	70	140	77,5	M 10-50	-
B 45	B 45	-	65	70	70	140	77,5	M 10-50	92
B 48	B 48	-	65	70	70	140	77,5	M 10-50	92
B 50	B 50	-	65	70	70	140	77,5	M 10-50	92

Screw points

Z	
1	Hex socket cap screw steel, zinc-plated DIN 912-8.8 and lock nut steel DIN 985-8, zinc-plated
2	Hex socket cap screw stainless steel DIN 912-A2-70 and lock nut stainless steel DIN 985-A2, glide coating

Surface

O	
2	textured powder-coated, Black RAL 9005
8	blasted, matt

ORDER KEY

MS - d_1 - d_2 - z - o



ACCESSORIES

- Adjustable hand levers **HSK** see page 168

ON REQUEST

- Clamping points with different diameters d_1 and d_2 or special diameter
- Screw points with hex head screws or mixed screw / adjustable hand lever elements
- Surface ball-burnished, anodized or powder-coated in other RAL colors

2D
2C
2B
2A
1D
1C
1B
1A