



PRODUCT INFO

Retaining rods and retaining tubes RK are turned and chamfered starting from round stainless steel solid profiles for diameters 8 and 10 mm and from welded and polished stainless steel round tubes for diameters 12 to 20 mm.

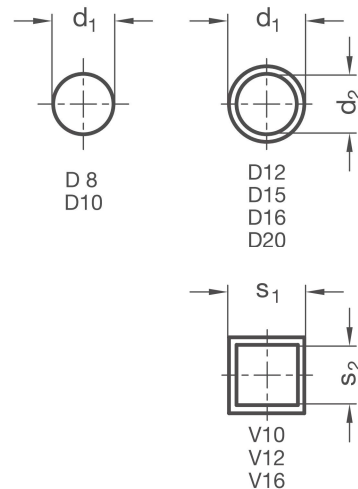
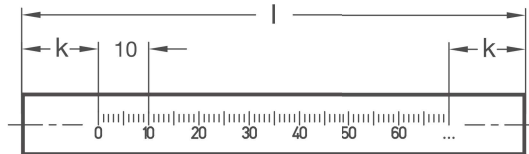
The square versions are made from drawn and anodized aluminum square tubes by sawing.

Retaining rods and retaining tubes are intended as accessories for use with clamp mountings, and the outer dimensions are matched accordingly.

Retaining rods and retaining tubes are only available in the lengths indicated in the table. A laser-engraved length scale (type LS) is also possible as an option.

Retaining tubes can additionally be used as cable pass-throughs.

RoHS-compliant product



Round d₁ stainless steel	Square s₁ aluminum	Length l							d₂	k	s₂
D 8	-	100	150	200	250	300	350	400	-	15	-
D 10	V 10	100	150	200	250	300	350	400	-	15	7
D 12	V 12	100	150	200	250	300	350	400	9	15	9
D 15	-	100	150	200	250	300	350	400	12	20	-
D 16	V 16	100	150	200	250	300	350	400	13	20	13
D 20	-	100	150	200	250	300	350	400	16	25	-

Surface / material o	
ED	Round retaining rods / tubes, stainless steel AISI 304 polished
AL	Square retaining tubes, aluminum anodized in natural colors

Type t	
OS	Without scale
LS	With length scale (mm divisions)

ORDER KEY RK - d₁ / s₁ - l - o - t

