

PRODUCT INFO

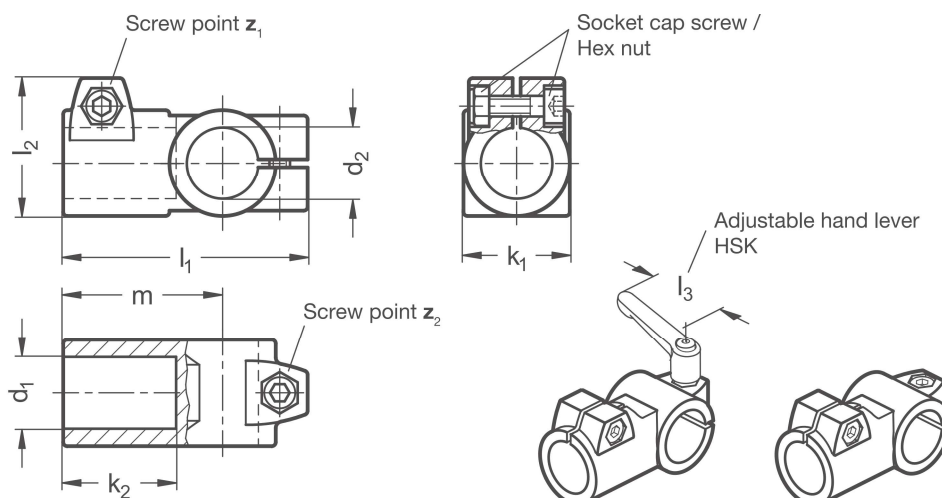
T-clamps TS of die-cast aluminum have slitted clamping points machined by cutting methods.

The bores at the clamping points are situated in a plane and arranged in a T-shape. They receive typically available construction tubes with full surface contact over the entire cross-section of the bore.

At the screw points, hex socket cap screws or adjustable hand levers reduce the bore cross-section for clamping.

Adjustable hand levers are intended for repeated, tool-free clamping. Under the designation HSK, these are available separately for individual use and in other designs. Compared with the tool-operated hex socket cap screw, the clamping force achievable with an adjustable hand lever is lower due to the shorter lever length.

RoHS-compliant product



Clamping point 1	Clamping point 2	Clamping length k_1	Clamping length k_2	l_1	l_2	m	Hex socket cap screws z_1	Hex socket cap screws z_2	Accessories recom. hand lever	
									HSK for z_1 l_3	for z_2 l_3
B 20	B 20	40	42,5	92	52	60	M 8-25	M 8-25	-	
B 25	B 25	40	42,5	92	52	60	M 8-25	M 8-25	78	78
B 30	B 30	40	42,5	92	52	60	M 8-25	M 8-25	78	78
B 30	B 30	56	62	130	68	90	M 10-35	M 10-35	-	-
B 32	B 32	56	62	130	68	90	M 10-35	M 10-35	-	-
B 35	B 35	56	62	130	68	90	M 10-35	M 10-35	92	-
B 40	B 40	56	62	130	68	90	M 10-35	M 10-35	92	92
B 40	B 40	65	75	148	77,5	103	M 10-50	M 10-50	92	-
B 42	B 42	65	75	148	77,5	103	M 10-50	M 10-50	92	-
B 45	B 45	65	75	148	77,5	103	M 10-50	M 10-50	92	-
B 48	B 48	65	75	148	77,5	103	M 10-50	M 10-50	92	92
B 50	B 50	65	75	148	77,5	103	M 10-50	M 10-50	92	92
B 50	B 50	80	80	177	92	125	M 10-50	M 10-50	-	-
B 60	B 60	80	80	177	92	125	M 10-50	M 10-50	92	-

Screw points

Z

1	Hex socket cap screw steel, zinc-plated DIN 912-8.8 and lock nut steel DIN 985-8, zinc-plated
2	Hex socket cap screw stainless steel DIN 912-A2-70 and lock nut stainless steel DIN 985-A2, glide coating

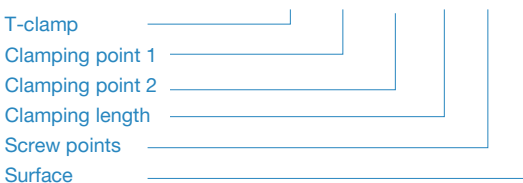
Surface

O

2	textured powder-coated, Black RAL 9005
8	blasted, matt

ORDER KEY

TS - d₁ - d₂ - k₁ - z - o



ACCESSORIES

– Adjustable hand levers **HSK** see page 168

ON REQUEST

- Clamping points with different diameters d_1 and d_2 or special diameter
- Screw points with hex head screws or mixed screw / adjustable hand lever elements
- Surface ball-burnished, anodized or powder-coated in other RAL colors

2D
2C
2B
2A
1D
1C
1B
1A