

PRODUCT INFO

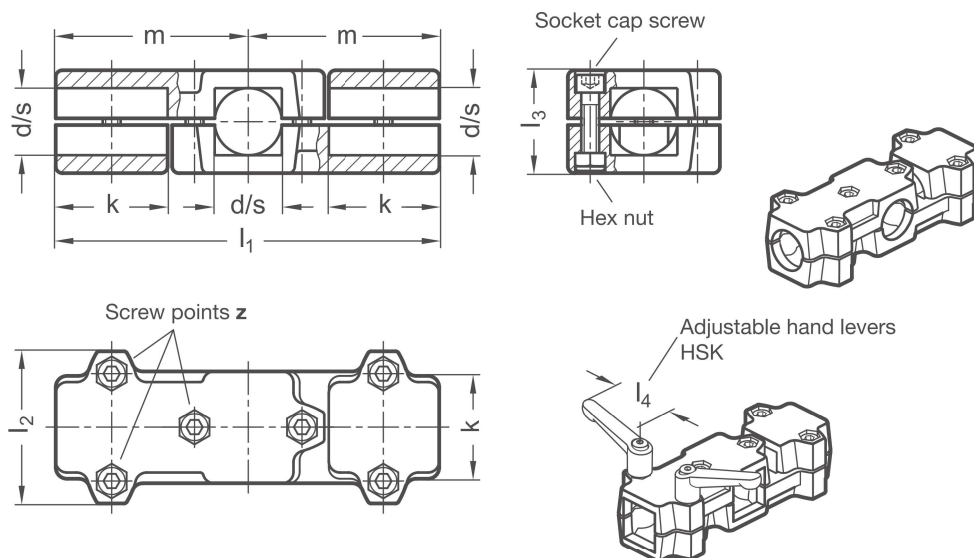
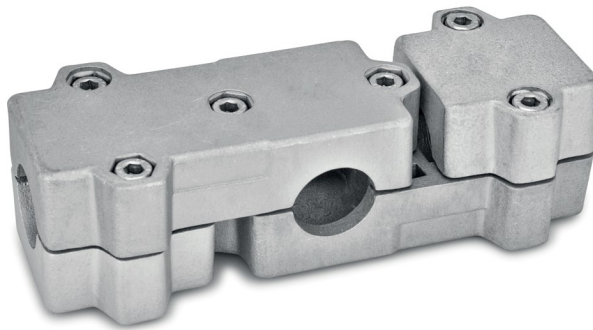
Angle clamps WMD of die-cast aluminum have split clamping points with identical round or square cross-section that have been partially machined by cutting methods.

The bores at the clamping points are situated in a plane and arranged in a double T-shape. They receive typically available construction tubes via multiple ribs in the cross-section of the bores.

At the screw points, hex socket cap screws or adjustable hand levers reduce the bore cross-section for clamping.

Adjustable hand levers are intended for repeated, tool-free clamping. Under the designation HSK, these are available separately for individual use and in other designs. Compared with the tool-operated hex socket cap screw, the clamping force achievable with an adjustable hand lever is lower due to the shorter lever length.

RoHS-compliant product



Clamping points		Clamping length k	l₁	l₂	l₃	m	Hex socket cap screws	Accessories recom. hand lever
Bore d	Square s							HSK for z lever length l₄
B 20	V 20	50	172	68	46	86	M 8-35	78
B 25	V 25	50	172	68	46	86	M 8-35	78
B 30	V 30	50	172	68	46	86	M 8-35	78
B 30	V 30	60	203	79	59	101,5	M 8-50	78
B 32	-	60	203	79	59	101,5	M 8-50	78
B 35	V 35	60	203	79	59	101,5	M 8-50	78
B 40	V 40	60	203	79	59	101,5	M 8-50	78
B 40	V 40	76	254	98	70	127	M 10-60	92
B 42	-	76	254	98	70	127	M 10-60	92
B 45	V 45	76	254	98	70	127	M 10-60	92
B 48	-	76	254	98	70	127	M 10-60	92
B 50	V 50	76	254	98	70	127	M 10-60	92

Screw points z	
1	Hex socket cap screw steel, zinc-plated DIN 912-8.8 and lock nut steel DIN 985-8, zinc-plated
2	Hex socket cap screw stainless steel DIN 912-A2-70 and lock nut stainless steel DIN 985-A2, glide coating

Surface o	
2	textured powder-coated, Black RAL 9005
8	blasted, matt

ORDER KEY

WMD - d / s - k - z - o



ACCESSORIES

– Adjustable hand levers **HSK** see page 168

ON REQUEST

- Clamping points with special diameter
- Screw points with hex head screws or mixed screw / adjustable hand lever elements
- Surface ball-burnished, anodized or powder-coated in other RAL colors

2D
2C
2B
2A
1D
1C
1B
1A