



PRODUCT INFO

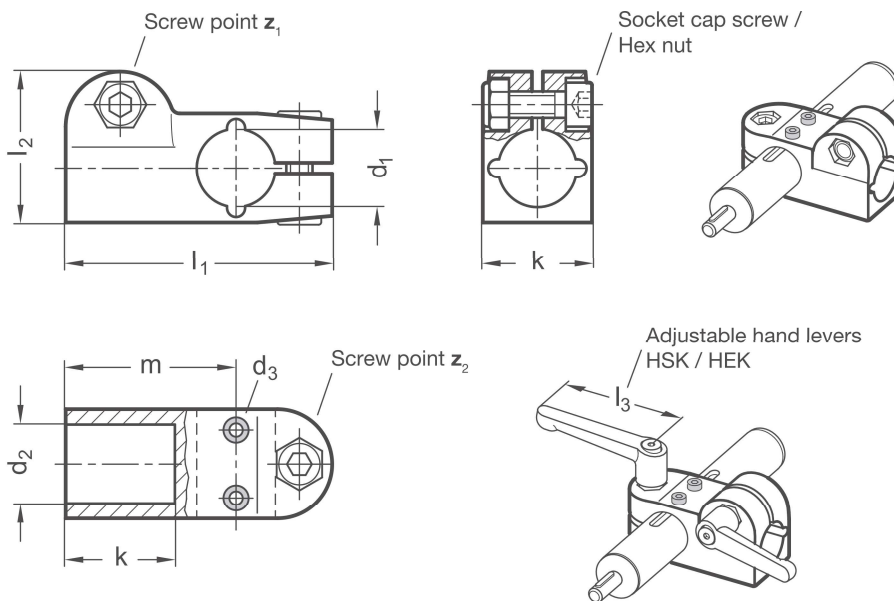
T-linear unit connectors TK.E of die-cast aluminium or precision-cast stainless steel have a slitted clamping point and guide element bore machined by cutting methods, with or without a sliding insert. Both bores are situated in a plane and arranged in a T-shape.

Together with the guide tube of the linear unit, the guide element bore forms a solid linear round guide mechanism that can be adjusted and clamped for low play. Drive keys transmit the linear movement of the linear unit to the linear unit connector.

Depending on the design, the part to be moved is fastened to the guide element or the guide element itself is installed at the place of use such that the entire linear unit moves together. At the screw points, hex socket cap screws or adjustable hand levers reduce the guide element bore or clamping point size.

Adjustable hand levers are intended for repeated, tool-free clamping. Under the designation HSK or HEK, these are available separately for individual use and in other designs. Compared with the tool-operated hex socket cap screw, the clamping force achievable with an adjustable hand lever is lower due to the shorter lever length.

RoHS-compliant product



Clamping point 1		Clamping point 2		Mounting screws on the drive key d₃	Clamping length k	l₁	l₂	m	Hex socket cap screws z₁ / z₂	Accessories recom. hand lever			
Bore d₁ Without sliding insert (only alum.)	With PTFE sliding insert	Bore d₂	HSK for aluminum clamp for z ₁ l₃							HEK for stainless steel clamp for z ₁ l₃	for z ₂ l₃	for z ₂ l₃	
B 18	G 18	B 18		M3	25	61	34,5	39	M 6-20				-

Screw points
z

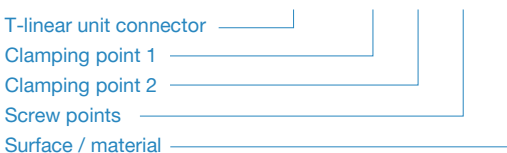
1	Hex socket cap screw steel, zinc-plated DIN 912-8.8 and lock nut steel DIN 985-8, zinc-plated (only for aluminum linear unit connector)
2	Hex socket cap screw stainless steel DIN 912-A2-70 and lock nut stainless steel DIN 985-A2, glide coating

Surface / material
o

2	Aluminium textured powder-coated, Black RAL 9005
8	Aluminium blasted, matt
ED	Stainless steel, blasted, matt

ORDER KEY

TK.E - d₁ - d₂ - z - o



ACCESSORIES

- Adjustable hand levers **HSK** see page 168
- Stainless steel adjustable hand levers **HEK** see page 170

ON REQUEST

- Surface
ball-burnished, anodized or powder-coated in other RAL colors

2D
2C
2B
2A
1D
1C
1B
1A