

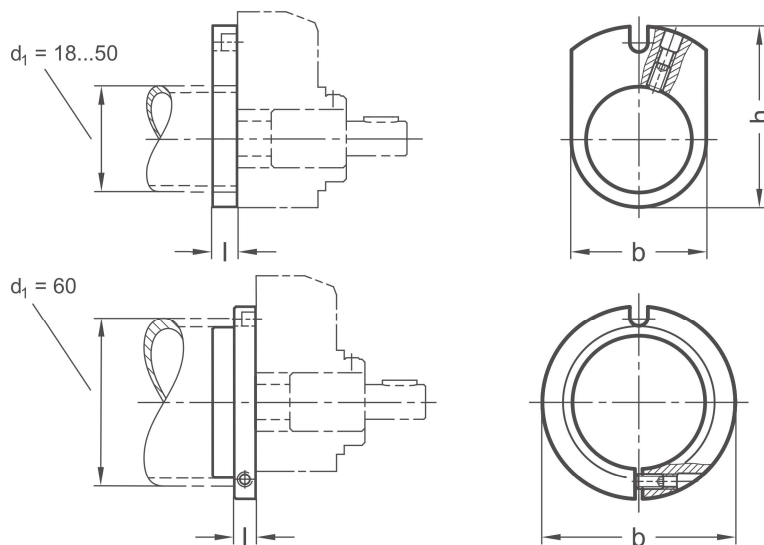


### PRODUCT INFO

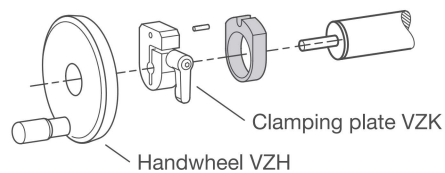
**Torque supports VZDR** are used together with round single tube linear units. They prevent the turning of clamping plates VZK and position indicators VZPM or VZPE attached as accessories.

The torque supports are made of black anodized aluminum and are clamped to the linear unit with a non-positive connection. They fix the position indicator or clamping plate in place via the radial groove open on one side.

**RoHS-compliant product**



**Assembly example**



<b>d<sub>1</sub></b> Linear unit nominal diameter	<b>b</b>	<b>h</b>	<b>l</b>
18	24	33	10
30	35	42	10
40	47	56,5	10
50	58	61	10
60	64	-	7

Surface / Material	
<b>o</b>	
S	Aluminum, black anodized

**FOR USE WITH**

– Single tube linear units, round

**ORDER KEY**

**VZDR - d<sub>1</sub> - o**

