



PRODUCT INFO

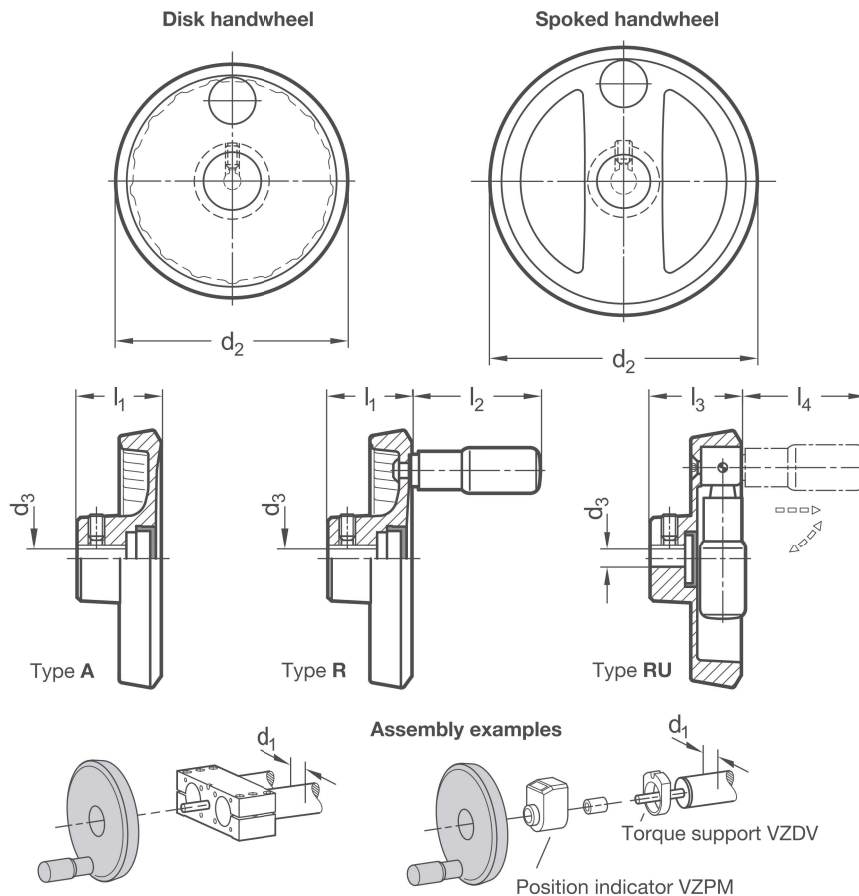
Handwheels VZH are intended for attachment to linear units as well as drive units and transfer units. The manual rotational movement is transmitted to the spindle or shaft via the keyway, resulting finally in a longitudinal movement of the guide element. A grub screw axially secures the hand wheel against the journal or spindle journal.

Dimensions such as outer diameter and hub bores are matched to the size of the respective linear, drive or transfer unit and can be found in the table. The smaller diameters are designed as disk handwheels and the larger diameters as spoked handwheels.

For each type, the handwheels can be ordered with or without revolving cylindrical handle as well as with a revolving retractable handle.

The handwheels are made of black powder-coated die-cast aluminum. The zinc-plated or black oxide-finished steel spindle parts allow the black plastic handles to rotate.

RoHS-compliant product



d ₁ Linear unit nominal diameter	d ₂	d ₃ H7	l ₁ ≈	l ₂ ≈	l ₃ ≈	l ₄ ≈	Handwheel type	
							Disk handwheel	Spoked handwheel
18*	80	6	26	43,5	-	-	x	-
30	100	8	30	58	39	56,5	x	-
40	100	12	30	58	39	56,5	x	-
	125	12	33,5	61,5	45	60,5	-	x
50	140	12	36,5	76,5	47	75,5	-	x
60	160	14	39,5	76,5	48	75,5	-	x

Type t	
A	Without handle
R	With rotating handle
RU	With rotating, retractable handle (only available for Ø 30-60)

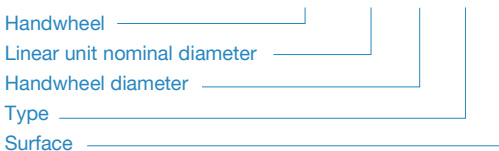
Surface o	
2	Textured powder-coated, Black RAL 9005

FOR USE WITH

- Single tube linear units, round
- Single tube linear units, square
- Double tube linear units
- Drive and transfer units
- Angle gears

ORDER KEY

VZH - d₁ - d₂ - t - o



ON REQUEST

* Plastic handwheels with Ø 50 for d₁ 18