



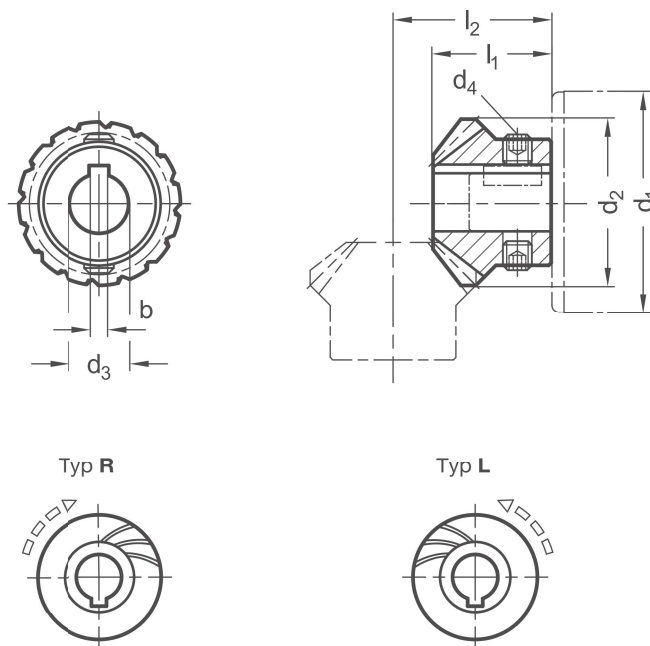
PRODUCT INFO

Bevel gear wheels YK are used in connection with angle gears to transmit a rotational movement offset by 90°.

The bevel gear wheels are mounted to the shaft journal of a linear, drive or transfer unit with a hub keyway and parallel key and then secured with the enclosed grub screw. The spiral tooting ensures very quiet running while also simplifying the mounting and adjustment of the engagement. The bevel gear wheels are available individually as per the table or in corresponding sets with right-hand or left-hand tooting.

Only bevel gear wheels with different tooting directions can be paired. The ratio is always 1:1 because the bevel gear wheels each have identical tooth counts. The use of selectively hardened steel results in high wear resistance.

RoHS-compliant product



Suitable for linear unit with nominal diameter	d_1	Bore with hub keyway d_2 H7	b	d_3	l_1	$l_2 \approx$
Ø18	14,5	6	2	M 4	11	16
Ø30	25	8	2	M 6	19	25
Ø40 / Ø50	33	12	4	M 6	23,5	31
Ø60	40	14	5	M 6	28	39

Type

t	
R	Bevel gear wheel, right-hand pitch
L	Bevel gear wheel, left-hand pitch
W	Set of bevel gears, 2 bevel gears, 1 x right-hand, 1 x left-hand pitch
T	Set of bevel gears, 3 bevel gears, 1 x right-hand, 2 x left-hand pitch

ORDER KEY

YK - d_1 - d_2 - t

