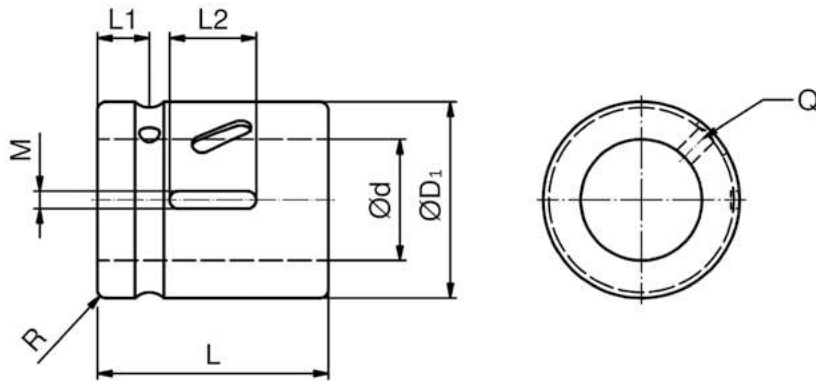
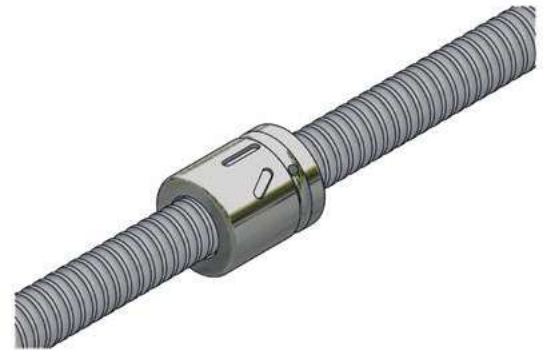


5.2.5 Cylindrical single nut type CI



Type	Pitch direction	Dimension										Number of circuits	Load ratings		Rigidity K_N [N/µm]
		d_0 [mm]	P [mm]	D_w [mm]	D_1 g6 [mm]	L [mm]	L1 [mm]	Q [mm]	L2 [mm]	M P9 [mm]	R [mm]		C_a [kN]	C_{0a} [kN]	
BNU01205_CI_3	right	12	5	2,500	21	33	3,5	2	12	3	1,8	2,8 x 1	6,89	13,82	139
BNU01605_CI_4	right / left	16	5	3,175	28	45	9	3,5	20	5	3,0	1 x 4	12,18	26,94	314
BNU02005_CI_4	right / left	20	5	3,175	36	45	9	3,5	20	5	3,0	1 x 4	13,69	34,21	382
BNU02505_CI_4	right / left	25	5	3,175	40	45	9	3,5	20	5	3,0	1 x 4	15,22	43,29	441
BNU02510_CI_4	right	25	10	4,762	40	85	13	3,5	30	5	3,0	1 x 4	26,08	64,39	490
BNU03205_CI_4	right / left	32	5	3,175	50	45	9	3,5	20	5	3,0	1 x 4	16,97	55,99	530
BNU03210_CI_4	right / left	32	10	6,350	50	85	13	3,5	30	5	3,0	1 x 4	42,41	107,75	598
BNU04005_CI_4	right / left	40	5	3,175	63	45	9	3,5	20	5	3,0	1 x 4	18,62	70,50	618
BNU04010_CI_4	right / left	40	10	6,350	63	85	13	3,5	30	5	3,0	1 x 4	47,65	136,80	716
BNU05010_CI_4	right / left	50	10	6,350	75	85	13	3,5	30	5	3,0	1 x 4	53,00	173,12	834
BNU06310_CI_4	right	63	10	6,350	90	85	13	3,5	30	6	3,5	1 x 4	59,30	223,81	970
BNU08010_CI_4	right	80	10	6,350	105	85	13	3,5	30	8	4,5	1 x 4	64,83	282,02	1 069