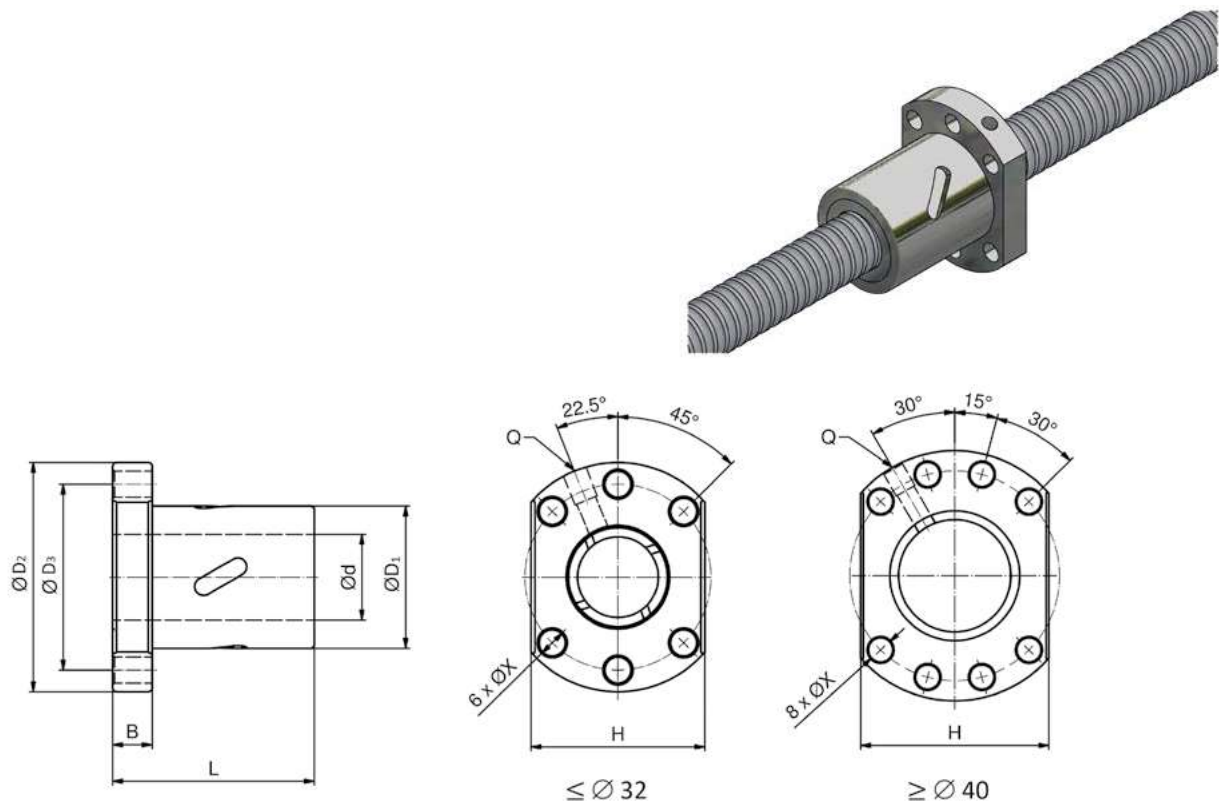


## 5.2.3 Standard single nut according DIN 69051 type SU



Type	Pitch direction	d <sub>0</sub> [mm]	P [mm]	D <sub>w</sub> [mm]	D <sub>1</sub> g6 [mm]	D <sub>2</sub> ±0,15 [mm]	Dimension					X [mm]	Q	Number of circuits	Load ratings		Rigidity K <sub>N</sub> [N/μm]
							B ±0,10 [mm]	L ±0,15 [mm]	D <sub>3</sub> ±0,15 [mm]	H ±0,15 [mm]	C <sub>a</sub> [kN]				C <sub>0a</sub> [kN]		
BNU01605_SU_4	right / left	16	5	3,175	28	48	10	50	38	40	5,5	M 6	1 x 4	12,18	26,94	314	
BNU01610_SU_3	right / left	16	10	3,175	28	48	10	57	38	40	5,5	M 6	1 x 3	9,74	21,19	255	
BNU02005_SU_4	right / left	20	5	3,175	36	58	10	51	47	44	6,6	M 6	1 x 4	13,69	34,21	382	
BNU02505_SU_4	right / left	25	5	3,175	40	62	10	51	51	48	6,6	M 6	1 x 4	15,22	43,29	441	
BNU02510_SU_4	right / left	25	10	4,762	40	62	12	85	51	48	6,6	M 6	1 x 4	26,08	64,39	490	
BNU03205_SU_4	right / left	32	5	3,175	50	80	12	52	65	62	9,0	M 6	1 x 4	16,97	55,99	530	
BNU03210_SU_4	right / left	32	10	6,350	50	80	12	90	65	62	9,0	M 6	1 x 4	42,41	107,75	598	
BNU04005_SU_4	right / left	40	5	3,175	63	93	14	55	78	70	9,0	M 8 x 1	1 x 4	18,62	70,50	618	
BNU04010_SU_4	right / left	40	10	6,350	63	93	14	93	78	70	9,0	M 8 x 1	1 x 4	47,65	136,80	716	
BNU05010_SU_4	right / left	50	10	6,350	75	110	16	93	93	85	11,0	M 8 x 1	1 x 4	53,00	173,12	834	
BNU06310_SU_4	right	63	10	6,350	90	125*	18	98	108	95	11,0	M 8 x 1	1 x 4	59,30	223,81	970	
BNU06320_SU_4	right	63	10	9,525	95	135*	20	149	115	100	13,5	M 8 x 1	1 x 4	101,00	323,50	1 069	
BNU08010_SU_4	right	80	10	6,350	105	145*	20	98	125*	110	13,5	M 8 x 1	1 x 4	64,83	282,02	1 069	
BNU08020_SU_4	right	80	10	9,525	125	165	25	154	145	130	13,5	M 8 x 1	1 x 4	113,95	421,41	1 354	

\* Tolerance ±0,10