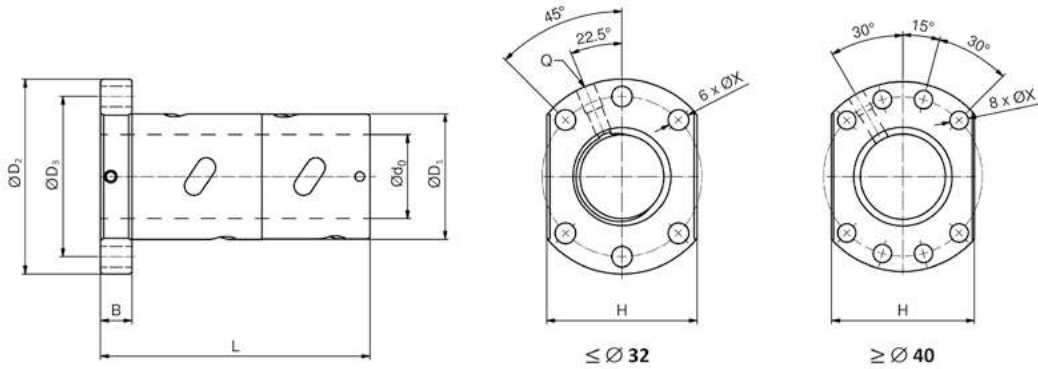
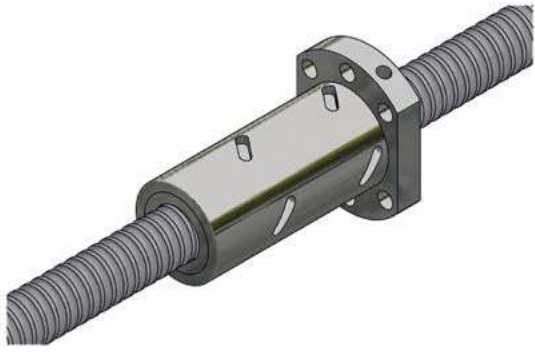


5.2.4 Standard single nut with pitch offset according DIN 69051 type TW



Type	Pitch direction	Dimension										Number of circuits	Load ratings		Rigidity K_N [N/ μ m]	
		d_0 [mm]	P [mm]	D_w [mm]	D_1 g6 [mm]	$D_2 \pm 0,15$ [mm]	$B \pm 0,10$ [mm]	$L \pm 0,15$ [mm]	$D_3 \pm 0,15$ [mm]	$H \pm 0,15$ [mm]	X [mm]		Q	C_a [kN]		C_{0a} [kN]
BNU01605_TW_4	right	16	5	3,175	28	48	10	75	38	40	5,5	M 6	1 x 4	12,18	26,94	431
BNU02005_TW_4	right	20	5	3,175	36	58	10	85	47	44	6,6	M 6	1 x 4	13,69	34,21	519
BNU02505_TW_4	right	25	5	3,175	40	62	10	86	51	48	6,6	M 6	1 x 4	15,22	43,29	608
BNU02510_TW_4	right	25	10	4,762	40	62	12	130	51	48	6,6	M 6	1 x 4	26,08	64,39	657
BNU03205_TW_4	right	32	5	3,175	50	80	12	87	65	62	9,0	M 6	1 x 4	16,97	55,99	726
BNU03210_TW_4	right	32	10	6,350	50	80	12	145	65	62	9,0	M 6	1 x 4	42,41	107,75	804
BNU04005_TW_4	right	40	5	3,175	63	93	14	90	78	70	9,0	M 8 x 1	1 x 4	18,62	70,50	853
BNU04010_TW_4	right	40	10	6,350	63	93	14	148	78	70	9,0	M 8 x 1	1 x 4	47,65	136,80	971
BNU05010_TW_4	right	50	10	6,350	75	110	16	148	93	85	11,0	M 8 x 1	1 x 4	53,00	173,12	1 147
BNU06310_TW_4	right	63	10	6,350	90	125*	18	153	108	95	11,0	M 8 x 1	1 x 4	59,30	223,81	1 363
BNU08010_TW_4	right	80	10	6,350	105	145*	20	153	125*	110	13,5	M 8 x 1	1 x 4	64,83	282,02	1 530

* Tolerance $\pm 0,20$