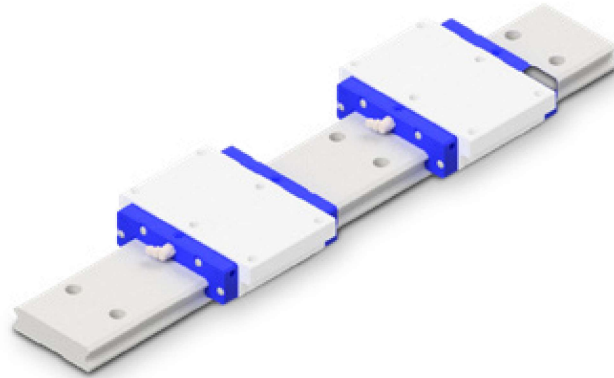


5.10 LGBXH_TN

Wide Linear Guide without ball chain, flange type, normal design height

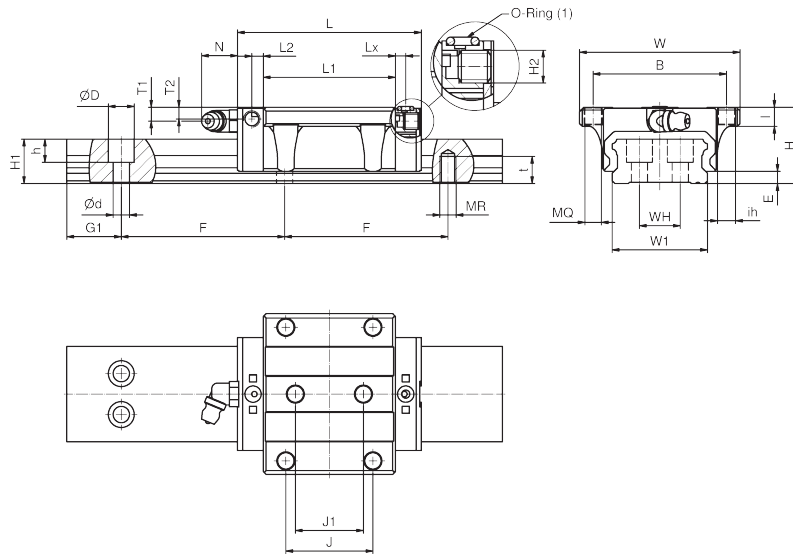
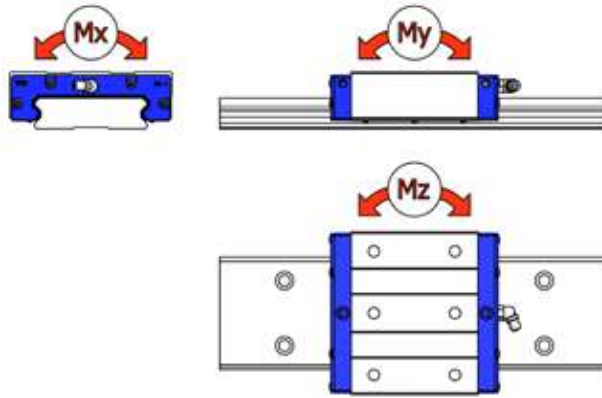


Example of type code

LGBXH 35 TN 2 BBL 01640 N Z1 - 1 - 0 - 20.0 N*

	System mm						Carriage mm												
	H	W	W2	E	L	B	J	J1	MQ	ih	I	L1	H2	T1	N	T2	L2	H3	Lx
LGBXH21 TN	21	68	15,5	3,0	58,8	60	29	29	M 5	4,4	8,0	40,6	M 6 x 1,0	5,1	12,0	4,5	4,20	M 3 x 0,5	3,0
LGBXH27 TN	27	80	19,0	3,0	72,6	70	40	40	M 6	5,4	9,0	51,8	M 6 x 1,0	6,0	12,0	6,0	4,25	M 3 x 0,5	3,8
LGBXH35 TN	35	120	25,5	4,0	103,0	107	60	60	M 8	7,0	10,0	78,0	M 6 x 1,0	8,7	12,0	8,0	4,65	M 6 x 1,0	5,0

*Explanation to type code in Chapter 8



Rail [mm]									Load rating						Mass		
W1	H1	F	WH	Version L			Version C		kN		kNm			kg	kg/ m		
				d	D	h	MR	t	C	C0	MX	MY	MZ	Carriage	Rail		
37	11	50	22	4,5	7,5	5,3	M 5	8,0	7,34	13,09	0,233	0,071	0,071	0,26	3,00	LGBXH21 TN	
42	15	60	24	4,5	7,5	5,3	M 5	8,0	13,02	21,90	0,457	0,162	0,162	0,52	4,60	LGBXH27 TN	
69	19	80	40	7,0	11,0	9,0	M 6	12,0	28,98	51,27	1,756	0,579	0,579	1,45	9,50	LGBXH35 TN	