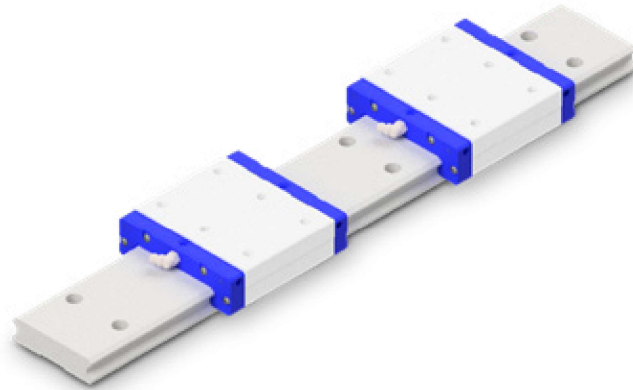


5.11 LGBXH_WN

Wide Linear Guide without ball chain, block type, normal design height

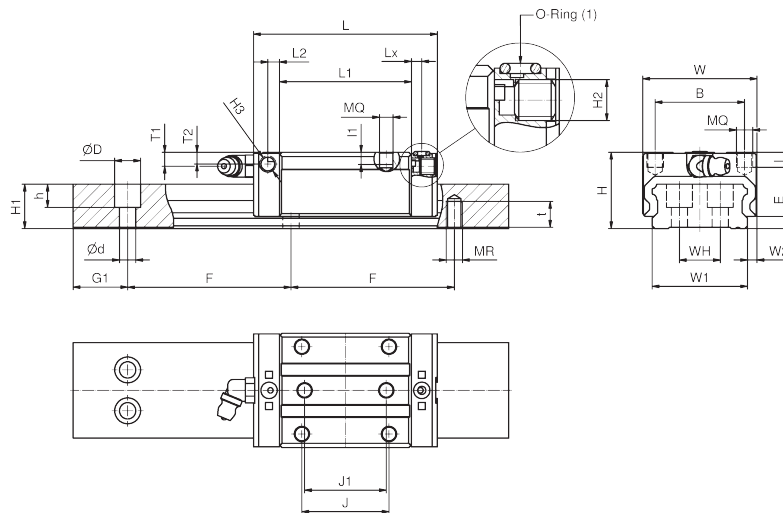
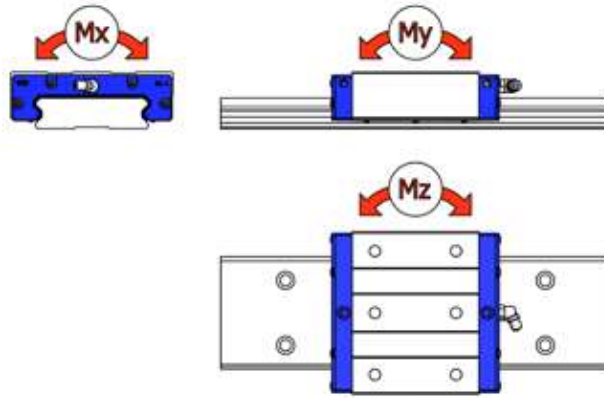


Example of type code

LGBXH 35 WN 2 BB L 01640 N Z1 - 1 - 0 -20.0 N*

	System mm					Carriage mm												
	H	W	W2	E	L	B	J	J1	MQ	I	L1	H2	T1	N	T2	L2	H3	Lx
LGBXH21 WN	21	54	8,5	3,0	58,8	31	19	19	M 5	6,0	40,6	M 6 x 1,0	5,1	12,0	4,5	4,20	M 3 x 0,5	3,0
LGBXH27 WN	27	62	10,0	3,0	72,6	46	32	32	M 6	6,0	51,8	M 6 x 1,0	6,0	12,0	6,0	4,25	M 3 x 0,5	3,8
LGBXH35 WN	35	100	15,5	4,0	103,0	76	50	50	M 8	8,0	78,0	M 6 x 1,0	8,7	12,0	8,0	4,65	M 6 x 1,0	5,0

*Explanation to type code in Chapter 8



			Rail [mm]							Load rating					Mass		
			Version L			Version C				kN		kNm			kg	kg/ m	
W1	H1	F	WH	d	D	h	MR	t	C	C0	MX	MY	MZ	Carriage	Rail		
37	11	50	22	4,5	7,5	5,3	M 5	8,0	7,49	13,29	0,237	0,072	0,072	0,20	3,00	LGBXH21 WN	
42	15	60	24	4,5	7,5	5,3	M 5	8,0	13,28	22,23	0,464	0,165	0,165	0,35	4,60	LGBXH27 WN	
69	19	80	40	7,0	11,0	9,0	M 6	12,0	29,56	52,04	1,782	0,587	0,587	1,10	9,50	LGBXH35 WN	