

**DUST PREVENTION**

The following seals are available for Slide Guide.

Table A-3 SEB type SER type

symbol	Type of Seal
blank	without Side-Seal
UU	Side-Seal

Table A-4 SGL type

symbol	Type of Seal
blank	Side-Seal
B	Side-Seal + Under-Seal
BW	Double Side-Seal + Under-Seal
BS	Side-Seal + Under-Seal + Scraper
BR	Side-Seal + Under-Seal + Reverse-Seal
BWS	Double Side-Seal + Under-Seal + Scraper

Table A-5 SGW type

symbol	Type of Seal
blank	Side-Seal
B	Side-Seal + Under-Seal

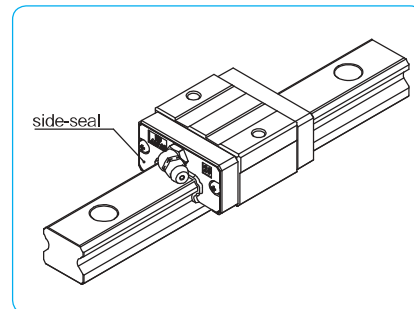
**Without Side-Seal (Series: SEB, SER)**

When the presence of dust or debris is extremely low and only minor motion resistance is desired, no side-seal option is available. Be aware that, with this option, dust prevention can not be expected.

**Side-Seal (Series: SEB, SER, SGL, and SGW)**

The side-seals prevent foreign particles and dust from entering the guide block in order to retain the motion accuracy, resulting in a long lifetime.

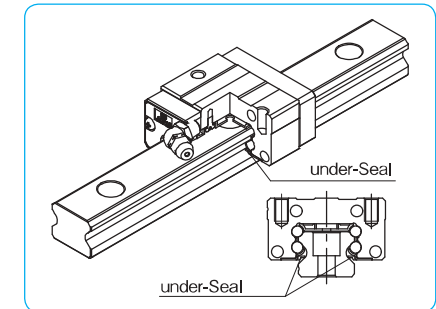
Figure A-22 Side-Seal



**Under-Seal (Series: SGL, SGW)**

Slide guides with side and under-seals are used in harsh environments or to prevent dust entering from below.

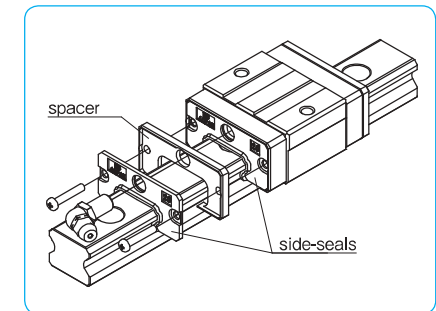
Figure A-23 Under-Seal



**Double Side-Seal Option (Series: SGL)**

With this option, the prevention against dust is greatly improved. This option is ideal for use in applications where bellows or covers are not able to be fitted over the slide guide system.

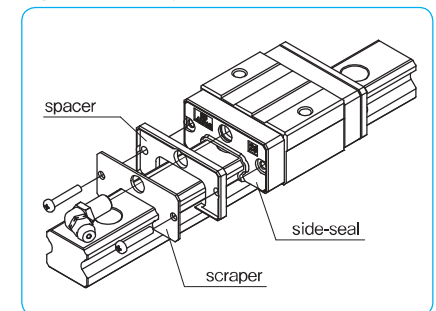
Figure A-24 Double Side-Seal



**Scraper Option (Series: SGL)**

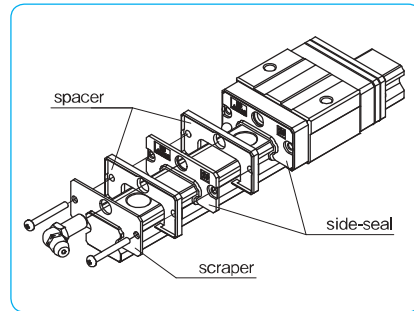
When the application environment has unfavorable foreign matter or debris the scraper option provides an effectively protective measure for the slide guide system.

Figure A-25 Scraper



**Double Side-Seal + Scraper Option (Series: SGL)**  
 Double side-seal plus scraper is available.

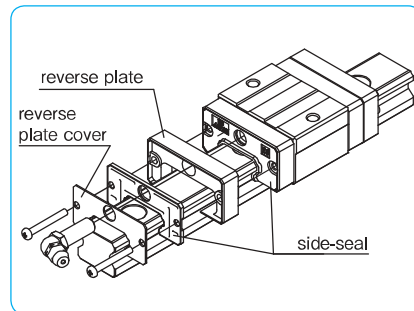
Figure A-26 Double Side-Seal + Scraper



**Reverse-Seal (Series:SGL)**

NB reverse-seal has another side-seal in the reverse orientation to the block, which achieves maintenance free by reducing grease loss. (refer to page A-19)

Figure A-27 Reverse-Seal



**Bellows (Series: SGL)**

This option fully covers the guide rail preventing dust, debris, and other foreign particles from disrupting the smooth linear motion. (refer to page A-20 for further details)

Figure A-28 Bellows

