

ALD, ELD // Bearings



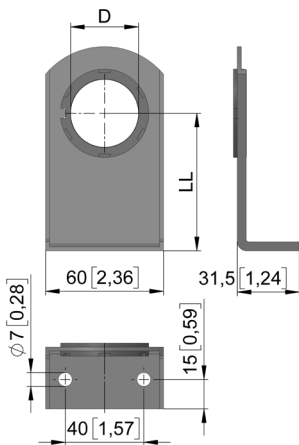
- Drive tube bearings for use with light loads, e.g. in combination with rack gear units AZD and EZD.
- ALD bearing (aluminium plate) and ELD (steel plate) with bronze ring.
- For mounting of 1" tube and 5/4"-tube, DIN EN 10255.
- Load 70 kg / bearing.
- Other bearings on request.

Note:

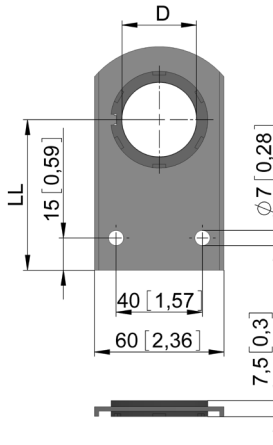
- Bearing ALD 19 with split plastic bearing for retrospective mounting or repair.

For AZD and EZD → See Chapter 8

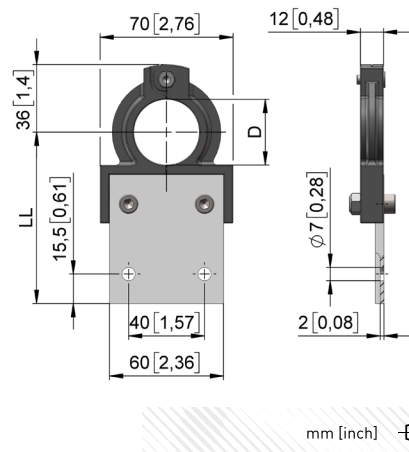
ALD 11 // ELD 12



ALD 15 // ELD 16



ALD 19



mm [inch]

D = 1" -Rohr		D = 5/4" -Rohr		LL [mm]	Info	m [kg]
Version	Type no.	Version	Type no.			
ALD 11.9807	61405.9811.07			70	Aluminum angled	0,1
ALD 11.9809	61405.9811.09			90	Aluminum angled	0,1
ALD 11.9812	61405.9811.12			120	Aluminum angled	0,1
ALD 15.9807	61405.9815.07			70	Aluminum straight	0,1
ALD 15.9809	61405.9815.09			90	Aluminum straight	0,1
ALD 15.9812	61405.9815.12			120	Aluminum straight	0,1
ALD 19.9809	61405.9819.09	ALD 19.9809	61405.9819.0902	90	Aluminum straight, bearing split	0,1
ELD 12.9807	61405.9812.0703			70	Steel angled	0,2
ELD 12.9809	61405.9812.0903	ELD 12.9859	61405.9812.5903	90	Steel angled	0,2
ELD 12.9812	61405.9812.1203			120	Steel angled	0,2
		ELD 16.9856	61405.9816.56	60	Steel straight	0,2
ELD 16.9807	61405.9816.0703			70	Steel straight	0,2
ELD 16.9809	61405.9816.0903	ELD 16.9859	61405.9816.59	90	Steel straight	0,2
		ELD 16.9860	61405.9816.61	110	Steel straight	0,3
ELD 16.9812	61405.9816.1203			120	Steel straight	0,3
		ELD 16.9863	61405.9816.63	135	Steel straight	0,3
ELD 16.66		ELD 16.9866	61405.9816.66	160	Steel straight	0,3