

AZD 05 // Rack & pinion units

700 N



- Rack & pinion units for actuation of medium-duty panels.
- Typical applications: Ventilation in wide-span greenhouses with single glazing, or in polytunnel, primary or secondary roof ridges in animal shed construction.
- Rack available in straight or curved version. With curved rack, less space required for pivoting (e.g. for side ventilation or shading).
- Various lengths of aluminium rack, window brackets for securing panels in scope of supply.
- Mounting on 1" drive tube (DIN EN 10255: 33.7 x 3.25 mm or DIN 2441: 33.7 x 4.05 mm) with four compression screws.
- Rack grease LUB 20 in scope of supply.

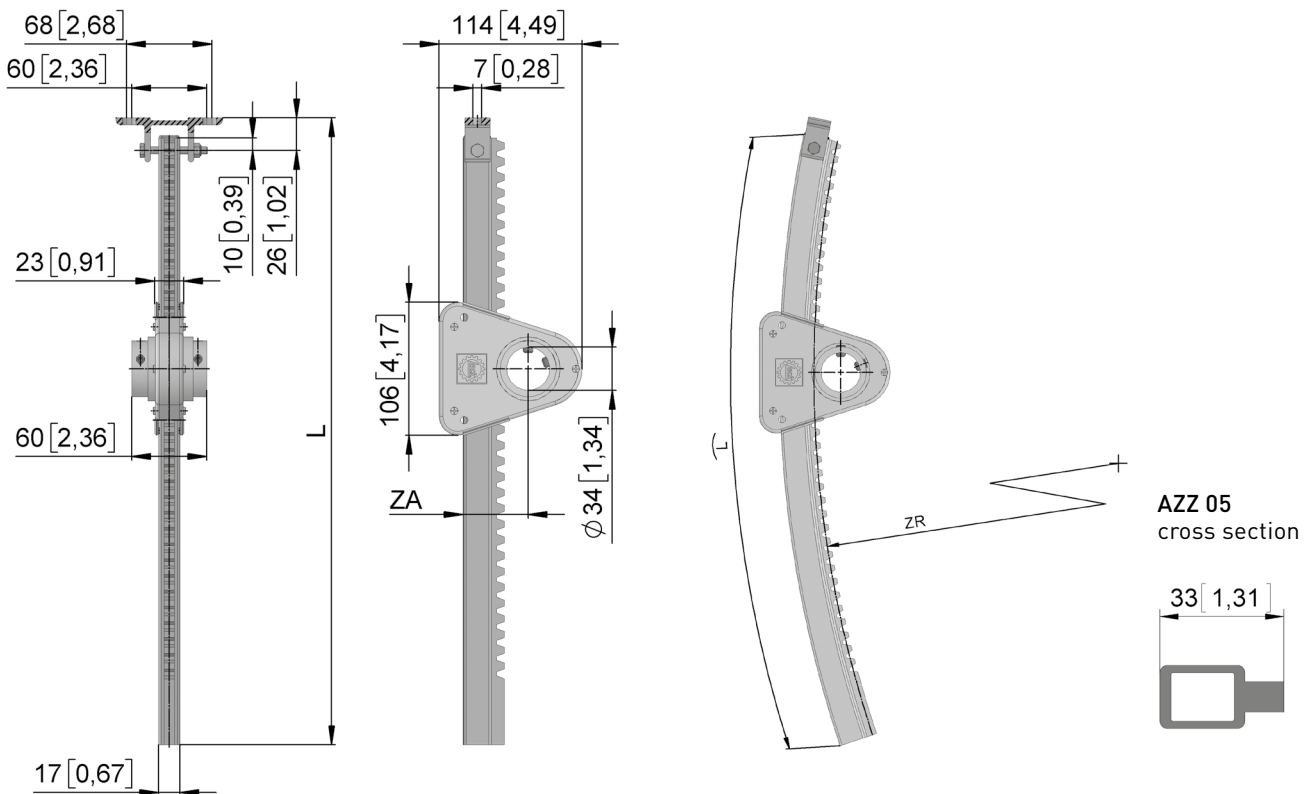
Option:

- Rack guard AZZ 60 for straight rack when required for insect protection (separation of good bugs / pests), grease guard or finger guard (people in nip range).

Note:

- Tighten down clamping ring screws to 8 Nm.

AZD 05



mm [inch]

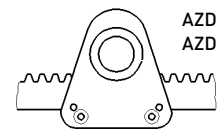
AZD 05 // Gear unit

700 N



AZD 05

Version	Type no.	F [N]	v [mm/n]	r [mm]	ZA [mm]	m [kg]
Straight						
AZD 05.0253	61405.0502.53	700	126	20	52	0,4
Curved						
AZD 05.1253	61405.0512.53	600	126	20	52	0,4



AZD 05 – Straight
AZD 05 – Curved

AZZ 05 // Racks

700 N



AZD 05



AZD 05

Version	Type no.	H [mm]	L [mm]	ZR [mm]	m [kg]
700 N // Straight					
AZZ 05.0208	61405.0502.6508	610	800	-	0,5
AZZ 05.0210	61405.0502.6510	810	1000	-	0,6
AZZ 05.0212	61405.0502.6512	1010	1200	-	0,7
AZZ 05.0214	61405.0502.6514	1210	1400	-	0,9
AZZ 05.0216	61405.0502.6516	1410	1600	-	1,1
600 N // Curved					
AZZ 05.1208	61405.0512.6508	610	800	1500	0,5
AZZ 05.1210	61405.0512.6510	810	1000	1500	0,6
AZZ 05.1212	61405.0512.6512	1010	1200	1500	0,7
AZZ 05.1214	61405.0512.6514	1210	1400	1500	0,9
AZZ 05.1216	61405.0512.6516	1410	1600	1500	1,1