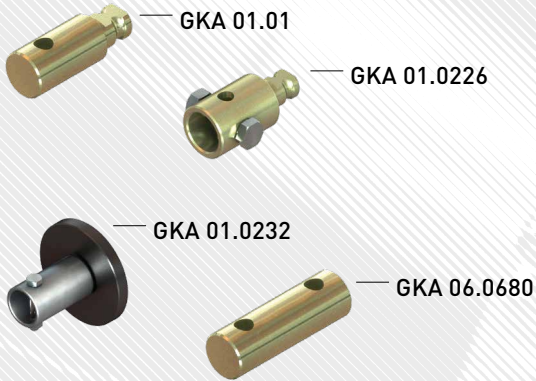
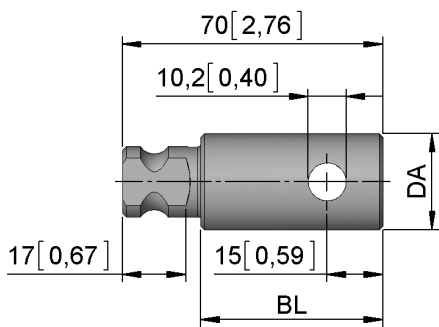


GKA 01, GKA 06 // Adapters

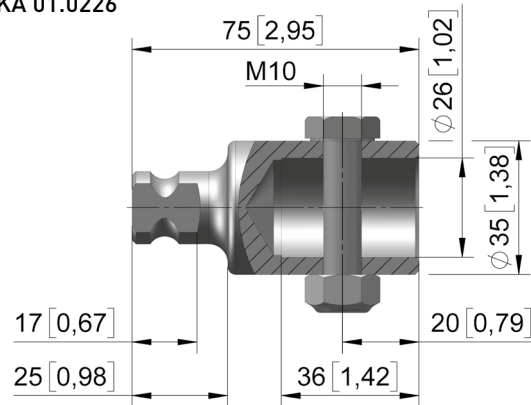


- GKA adapter for locating drive tubes and winding tubes on GKN articulated couplings or on GKT telescopic couplings.
- GKA 01 suitable for GKT 01. GKA 06 suitable for GKT 04 and GKT 06.
- GKA adapter in conjunction with ATR 06.5403 or GKT telescopic coupling.
- Aluminium or steel, galvanised.
- GKA 01.0226 and GKA 01.0232 including bolts.

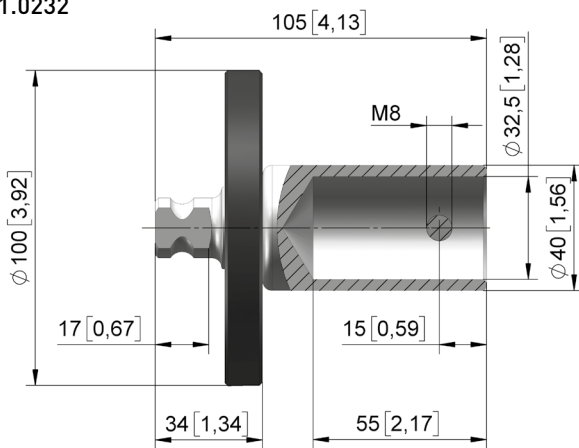
GKA 01.01



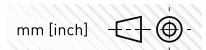
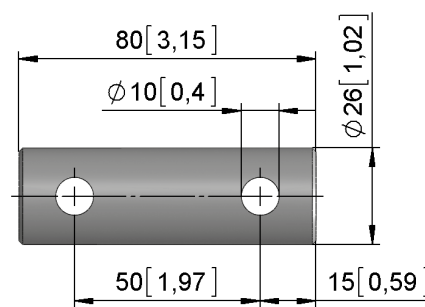
GKA 01.0226



GKA 01.0232



GKA 06.0680



Version	Type no.	T max [Nm]	DA [mm]	BL [mm]	Tube ø [mm]	m [kg]
GKA 01.0126	20998.0101.2610	70	26,0	51	1"	0,2
GKA 01.0137	20998.0101.37	70	36,5	39	42,4 x 2,65	0,3
GKA 01.0226	20998.0102.26	70	-	-	26	0,3
GKA 01.0232	20998.0102.32	70	-	-	32 x 1,50	0,2
GKA 06.0680	20998.0606.80	120	-	-	1"	0,3