

## HKG 06 // Manual chain drive 60 Nm



— HKG 06.50

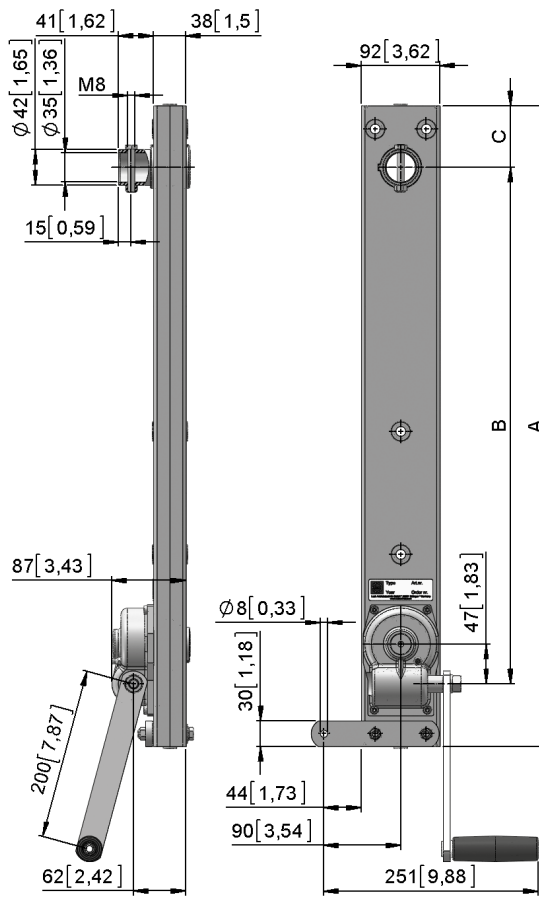


— HKG 06.51

- Manual drive for actuation of overhead drive shafts, e.g. for side ventilation in greenhouses, up to 60 metres in length.
- Gear unit with self-locking worm gear unit and worm roller chain. Galvanised. Easy mounting with just two screws.
- Version with 1 retaining bracket and output shaft to guide through a 1" ventilation tube + M 8 x 50 screw.
- For tube 1", 33.7 x 3.25 mm, DIN EN 10255.
- Reduction 16 : 1 and 8 : 1.
- As chain gear unit with two hollow shaft 1 : 1 without selfbreaking.
- **Option:**
- Crank with folding handle (see Chapter [10](#)).

Version	Type no.	A [mm]	B [mm]	T [Nm]	i	F <sub>H</sub> [N]	C [mm]	m [kg]
HKG 06.5007	52160.0650.07	750	604	60	16 : 1	95	72	7,8
HKG 06.5107	52160.0651.07	750	608	60	1 : 1	–	72	5,1
HKG 06.5010	52160.0650.10	1000	858	60	16 : 1	95	68	9,2
HKG 06.5110	52160.0651.10	1000	862	60	1 : 1	–	68	6,5
HKG 06.5012	52160.0650.12	1250	1112	60	16 : 1	95	64	10,6
HKG 06.5015	52160.0650.15	1500	1366	60	16 : 1	95	60	12,0
HKG 06.5017	52160.0650.17	1750	1607	60	16 : 1	95	69	13,4
HKG 06.5115	52160.0651.15	1500	1320	60	1 : 1	–	60	9,2
HKG 06.5815	52160.0458.15	1500	1366	40	8 : 1	130	60	10,8

HKG 06.50



HKG 06.51

