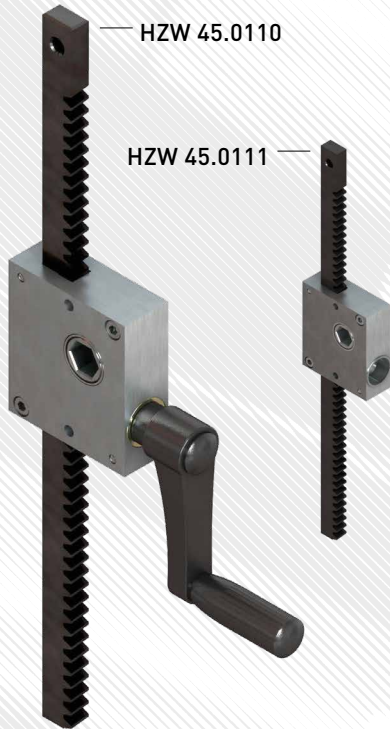


HZW 45 // Manual rack winch 1000 N



- Manual rack winches for raising, lowering, adjusting and securing components, devices, machines and ventilation systems.
- Compact design ideal for small installation spaces.
- Smooth action, self-locking worm gear drives.
- Aluminium housing, milled gearbox components made of steel, wearing parts hardened, robust precision design.
- Loadable in tension and compression.
- Standard stroke length 200–800 mm. Other stroke lengths on request.

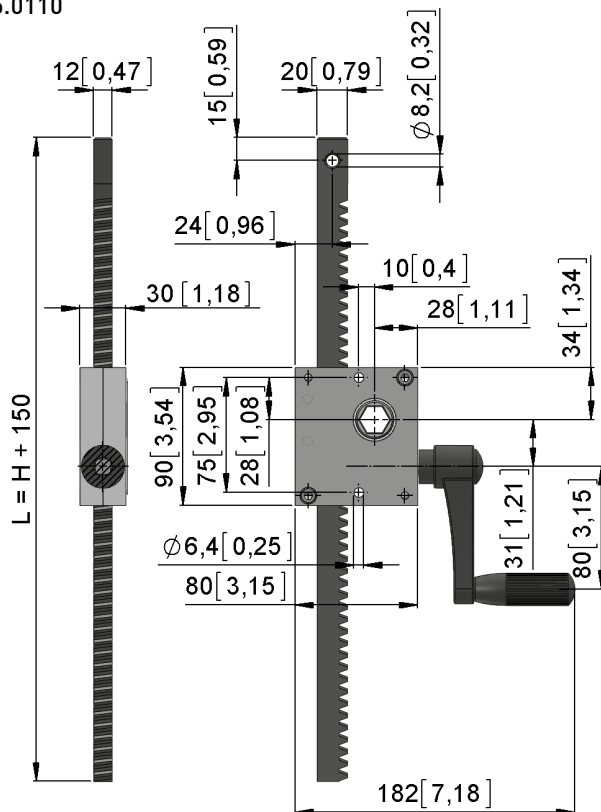
Versions:

- HZW 45.0111: can be driven synchronously with HZW 45.0110 Version HZW 45.0111 (without self-locking action). Total load 1000 N, connection with hex profile, waf 17.

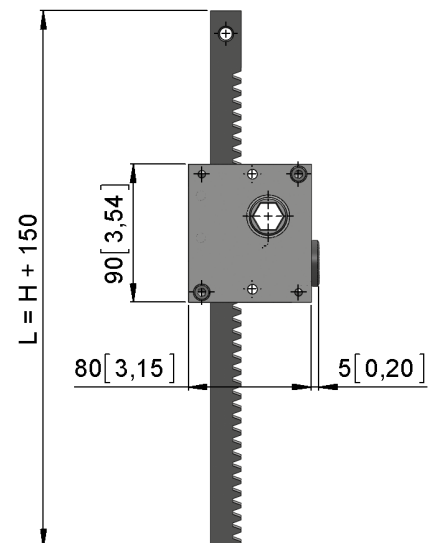
Option:

- Rack guard.

HZW 45.0110



HZW 45.0111



HZW 45 // Gear unit

1000 N



| Version | Type no. | F [N] | H _k [mm/n] | F _H [N] | m [kg] |
|-------------|---------------|-------|-----------------------|--------------------|--------|
| HZW 45.0110 | 51145.0110.00 | 1000 | 7,85 | 75 | 1,4 |
| HZW 45.0111 | 51145.0111.00 | 1000 | 117,8 | - | 1,2 |

HZZ 45 // Racks

1000 N



Option:
Rack guard



| Version | Type no. | F [N] | H [mm] | L [mm] | m [kg] |
|-------------|---------------|-------|--------|--------|--------|
| HZZ 45.0102 | 51145.0197.02 | 1000 | 200 | 350 | 0,7 |
| HZZ 45.0104 | 51145.0197.04 | 1000 | 400 | 550 | 0,9 |
| HZZ 45.0106 | 51145.0197.06 | 1000 | 600 | 750 | 1,2 |
| HZZ 45.0108 | 51145.0197.08 | 1000 | 800 | 950 | 1,5 |

Option

| Version | Type no. | F [N] | H [mm] | L [mm] | m [kg] |
|-------------|-----------------|-------|--------|--------|--------|
| HZZ 45.0198 | 51145.0197.9801 | - | - | - | 0,1 |