

HZW 53 // Manual rack winch 3000–6000 N



- Manual rack winches for raising, lowering, adjusting and securing components, devices, machines and ventilation systems.
- Smooth action, self-locking worm gear drives.
- Cast housing, milled worm gear drive, gearbox components made of steel, partially hardened, robust precision design.
- Loadable in tension and compression.
- Standard stroke lengths 400–1400 mm. Additional stroke possible in increments of 200 mm. From stroke length of 1100 mm (HZW 53.03), or 1300 mm (HZW 53.06) note reduced compression force.

Versions:


- HZW 53.0310 // HZW 53.0610: like standard version but with lateral shaft outputs to drive version HZW 53.0311 // HZW 53.0611 (not self-locking, maximum total load 3000 N // 6000 N. Connection with 3/4" tube, DIN EN 10255.

HZW 53.0310
HZW 53.0610
ATEX HZW 53.0601

HZW 53.0311
HZW 53.0611



Options:

- Folding handle, galvanised version (see chapter 10). (Not for the ATEX version.)
- Rack guard.
- ATEX Version:  II 3 G Ex h IIB T4 Gc
II 3 D Ex h IIIB T135°C Dc



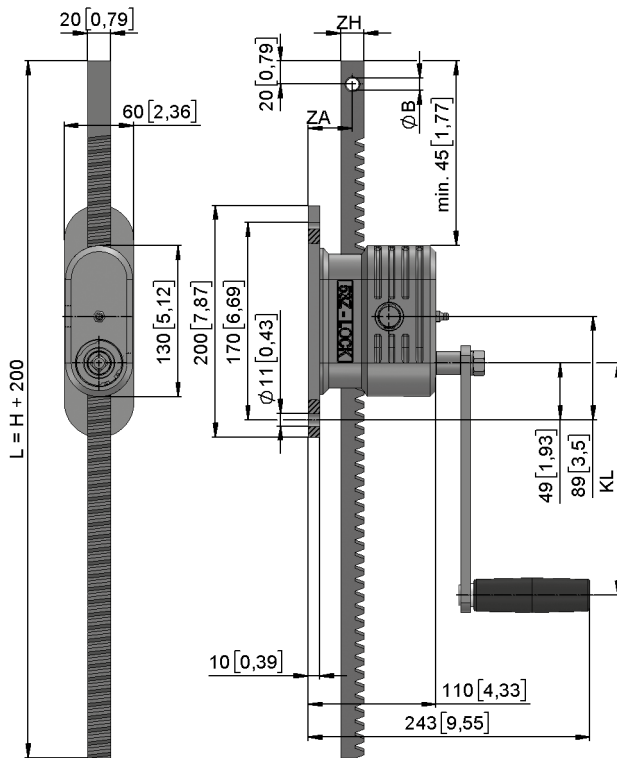
— HKU 01.2020
Not for the ATEX version.



— HKU 01.2010
Not for the ATEX version.

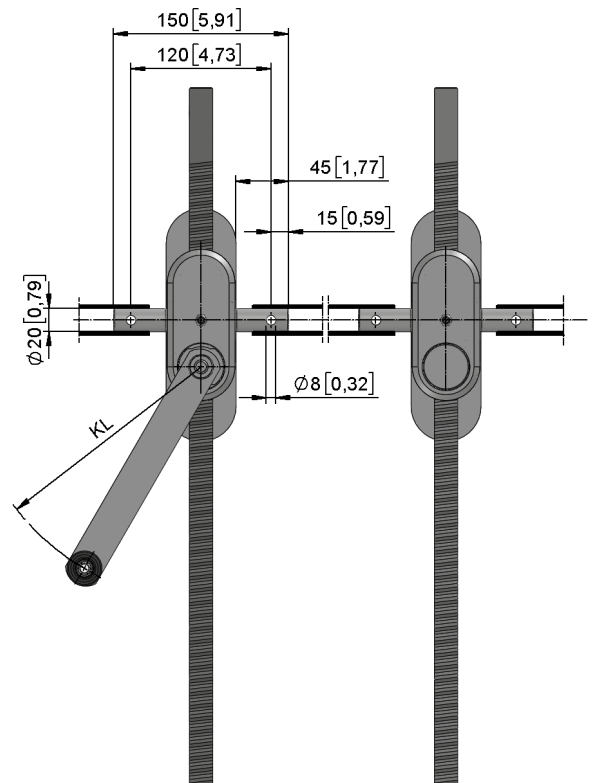
HZW 53.0301 // HZW 53.0601

→ **Attention:** Additional potential equalization required for ATEX version.



**HZW 53.0310 // HZW 53.0311
HZW 53.0610 // HZW 53.0611**

→ **Attention:** Not available as ATEX version.



mm [inch]

HZW 53 // Gear unit

3000–6000 N



Version	Type no.	F [N]	H _s [mm/n]	F _H [N]	KL [mm]	ZA [mm]	m [kg]
HZW 53.0301	51153.0301.00	3000	11	110	200	38	4,0
HZW 53.0601	51153.0601.00	6000	11	180	250	35	4,2
HZW 53.0310	51153.0310.00	3000	11	110	200	38	4,0
HZW 53.0311	51153.0311.00	3000	154	–	–	38	3,5
HZW 53.0610	51153.0610.00	6000	11	180	250	35	4,2
HZW 53.0611	51153.0611.00	6000	154	–	–	35	3,5
HZW 53.0601 Ex	51153.0601.0080	6000	11	180	250	35	4,2

HZZ 53 // Racks

3000–6000 N

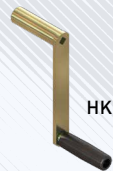


Option:
Rack guard

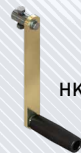


Version	Type no.	F [N]	ZH [mm]	H [mm]	L [mm]	B [mm]	m [kg]
HZZ 53.0304	51153.0397.04	3000	20	400	600	11	1,5
HZZ 53.0306	51153.0397.06	3000	20	600	800	11	2,0
HZZ 53.0308	51153.0397.08	3000	20	800	1000	11	2,5
HZZ 53.0310	51153.0397.10	3000	20	1000	1200	11	3,0
HZZ 53.0312	51153.0397.12	2000	20	1200	1400	11	3,5
HZZ 53.0314	51153.0397.14	1500	20	1400	1600	11	4,0
HZZ 53.0604	51153.0697.04	6000	25	400	600	13	1,9
HZZ 53.0606	51153.0697.06	6000	25	600	800	13	2,6
HZZ 53.0608	51153.0697.08	6000	25	800	1000	13	3,3
HZZ 53.0610	51153.0697.10	6000	25	1000	1200	13	4,0
HZZ 53.0612	51153.0697.12	6000	25	1200	1400	13	4,7
HZZ 53.0614	51153.0697.14	4500	25	1400	1600	13	5,4
Option							
HZZ 53.0398	51153.0397.9801	-	-	-	-	-	0,1
HZZ 53.0698	51153.0697.9801	-	-	-	-	-	0,1

Accessories



HKU 01.2010



HKU 01.2020

Version	Type no.	KL [m]	Info	m [kg]
HKU 01.2010	82301.2010.0001	200	Crank	0,8
HKU 01.2020	82301.2020.0001	200	Crank	0,6