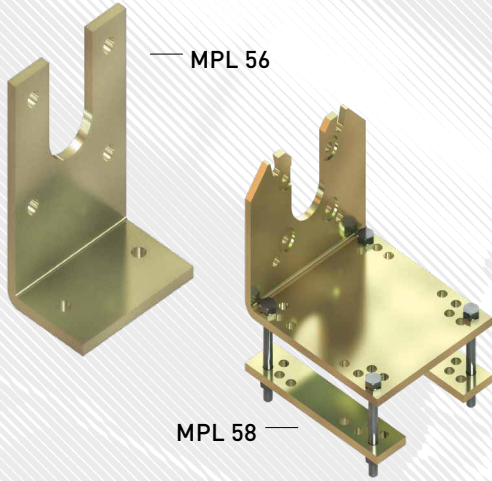
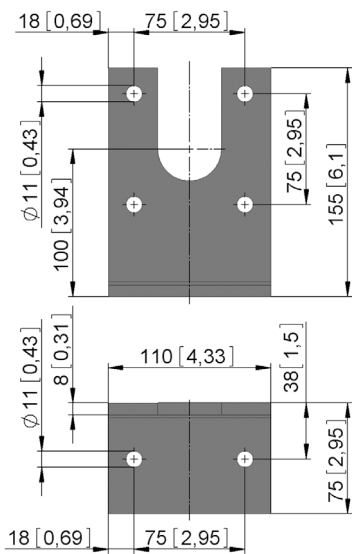


MPL 56, MPL 58 // Mounting plates

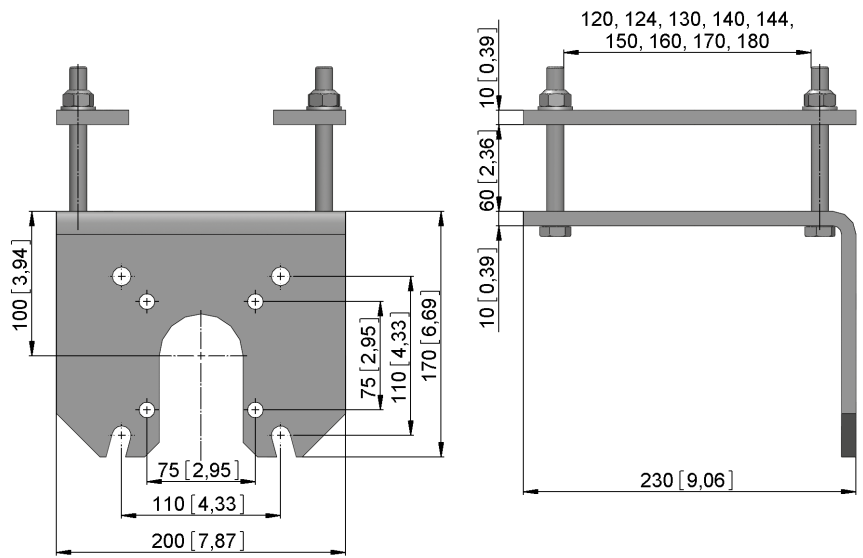


- Angled mounting plates for transverse mounting of EWA.
- MPL 56 for welding or bolting to beams or supports.
- MPL 58 for clamping to supports, e.g. in Venlo structures, variable for use with various support dimensions.
- Due to the clamping function, no additional drilling is required for the MPL 58.

MPL 56
for EWA 10–EWA 14



MPL 58
for EWA 10–EWA 16



mm [inch]

Version	Type no.	Info	m [kg]
MPL 56.1114	82556.1115.11	EWA 10/12/14	1,3
MPL 58.2009	82558.2017.0971	EWA 10/12/14/16, only angle plate	5,2
MPL 58.2011	82558.2017.11	EWA 10/12/14/16	8,1