

STR 12 // Cable drums



STR 12.5401

STR 12.5410



STR 12.7401

STR 12.7410



STR 12.9201

STR 12.9210



STR 12.9101

STR 12.54 // STR 12.92:

- Plastic cable drums for mounting to 1" tube for VariVent® systems, lifting window and similar items.
- Drum in two sections for ease and speed of assembly.
- With patented clamping fixtures, no further drilling required!
- For cable diameters of up to 4 mm.
- Version xx10 always with pre-mounted wire cable. Process for controlled winding of cable during assembly has been submitted for utility patent application.

STR 12.74 // tapered cable drum for VariVent® TFS:

- For single-rolled TFS systems with a ventilation height of up to 3.5 m.
- Only a small winding tube offset ($\pm 5 - 10$ cm).
- Only a small base is needed, which delivers a bigger cross section for ventilation with eaves at the same height.
- Flexible range of applications: Depending on which area of the tapered drum is used, the winding offset for different thicknesses of sheeting can be optimised.
- Easy to install with tried and tested gripper clamps.

STR 12.91 // Cable drum for EazyVent®:

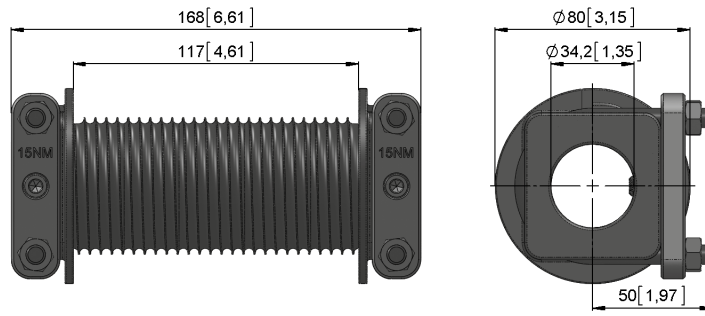
- Smooth cable drum made of two plastic half-shells ($\varnothing 110$ mm).
- Included in scope of supply: Two screws and two lock nuts.
- Only suitable for plastic cables.
- Special groove present for safety winding.

Note:

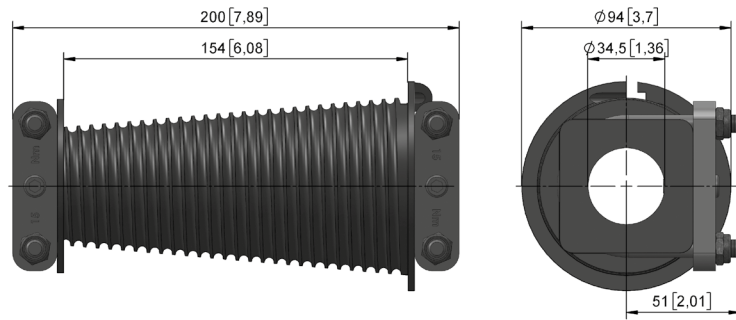
- Indication H without two safety windings.
- Per drum max. 150 kg.

Version	Type no.	DR [mm]	DIN 3069 D \varnothing [mm]	H [m]	Info	m [kg]
STR 12.5401	81412.5401.10	54	3-4	4,1	-	0,6
STR 12.5410	81412.5410.40	54	3	4,1	With pre-mounted wire cable	1,0
STR 12.7401	81412.7401.15	49-74	3-4	3,8	-	0,6
STR 12.7410	81412.7410.40	49-74	3	3,8	With pre-mounted wire cable	1,3
STR 12.9201	81412.9201.09	120	3-4	5,8	-	0,8
STR 12.9210	81412.9210.60	120	3	5,8	With pre-mounted wire cable	1,3
EazyVent®						
STR 12.9101	81412.9101.13	110	4	-	-	0,7

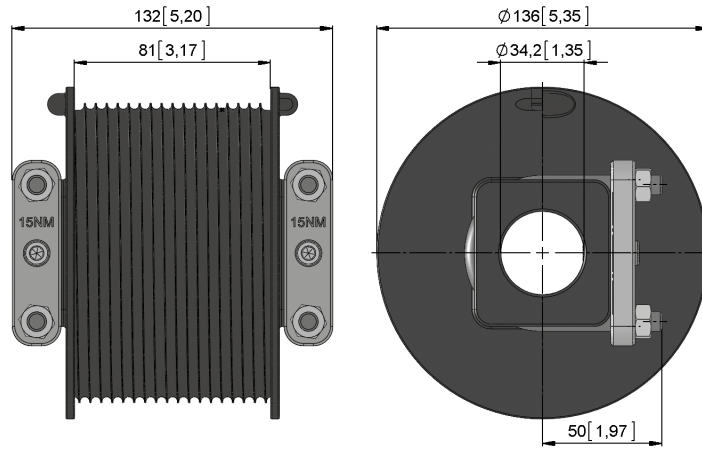
STR 12.5401



STR 12.7401



STR 12.9201



STR 12.9101

