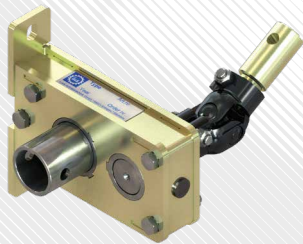


USG 10 // Deflection gear unit

70 Nm



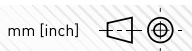
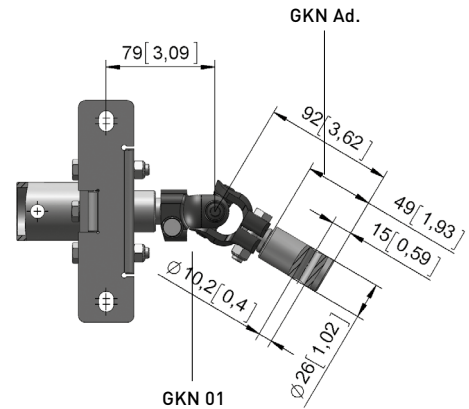
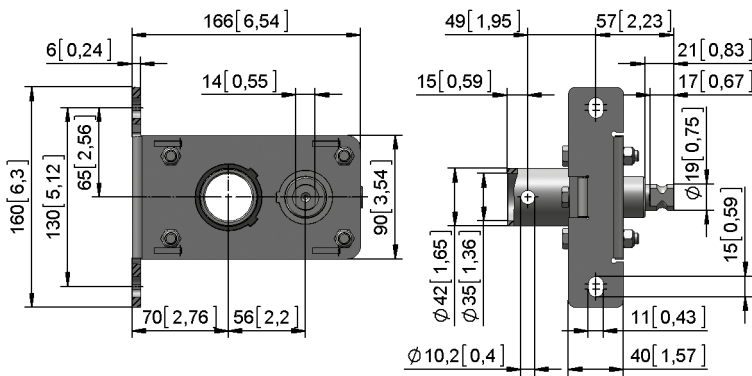
- Deflection gear unit for actuation of ventilation shafts on multi-section greenhouses, as a deflection gear unit between a central drive shaft and a VRE worm gear unit in the roof ridge.
- Shaft output pointing upwards, up to max. 34°.
- Steel housing with spur gear unit, hardened.
- Quill shaft to guide around the 1" central drive tube.
- Any direction of load and installation, max. speed 40 rpm.

Note:

- When using different connecting tubes, please ask for the appropriate adapter.

USG 10
Without joint

USG 10.26
With GKN // Articulated coupling and adapter



Version	Type no.	T output [Nm]	T input [Nm]	i	Info	m [kg]
USG 10.0070	62410.0511.00	70	82	1:1	Without articulated coupling + adapter	3,0
USG 10.2670	62410.0511.26	70	82	1:1	With articulated coupling + adapter	3,6