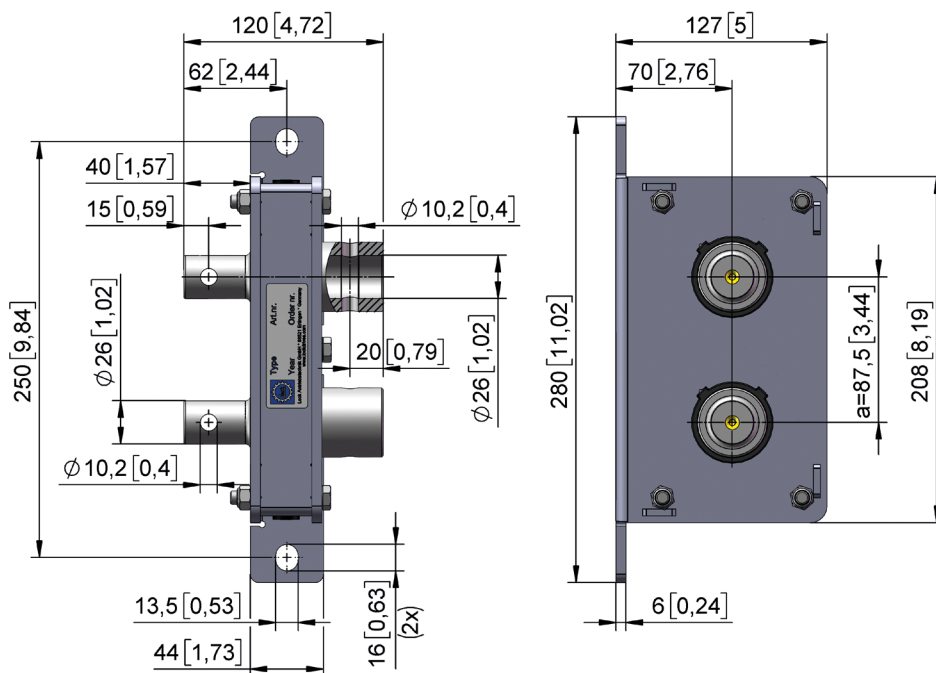


## USG 15 // Deflection gear unit 150 Nm



- Deflection gear for the synchronisation of two winding shafts.
- Maintenance free.
- GKT compatible without additional adapter.
- Simple wall mounting.



mm [inch]

Version	Type no.	Tmax output [Nm]	N1 max [U/min]	i	m [kg]
USG 15.1501	62415.1511.0111	150	5	1:1	6,24