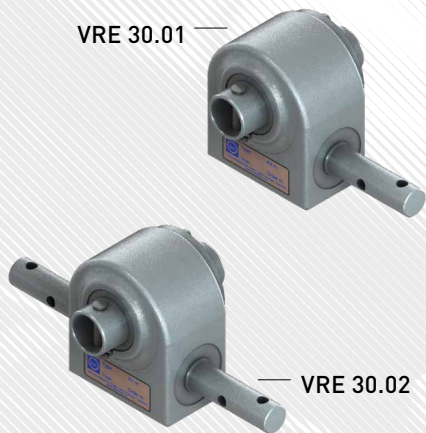


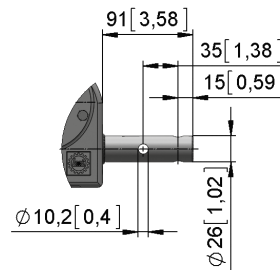
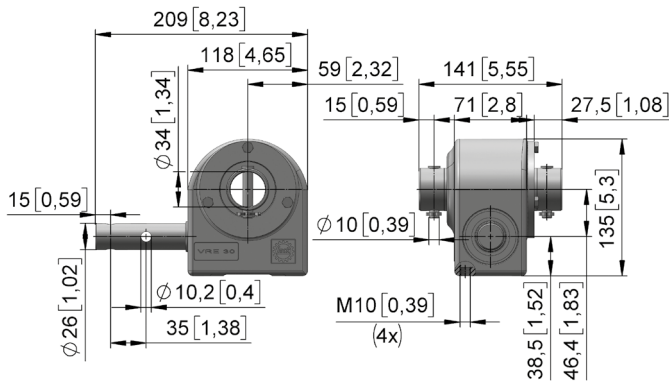
VRE 30 // Worm gear unit 200 Nm



- Compact worm gear unit for actuation of raising and lowering applications in system construction.
- For distribution of forces in conjunction with self-locking shaft drives and rack gear units.
- Extremely robust and sealed cast housing.
- Zero-maintenance achieved through lifetime lubrication.
- Drive shaft 26 mm for 1" tube, one or both sides.
- Driven via 34.5 m quill shaft for 1" tube.

VRE 30.01

VRE 30.02
2. Shaft end



mm [inch]

Version	Type no.	T [Nm]	i	T input [Nm]	m [kg]
cw direction of rotation					
VRE 30.0101	62130.0101.0001	200	18:1	28	4,5
VRE 30.0201	62130.0201.0001	200	18:1	28	4,8
ccw direction of rotation					
VRE 30.0102	62130.0102.0001	200	18:1	28	4,5
VRE 30.0202	62130.0202.0001	200	18:1	28	4,8