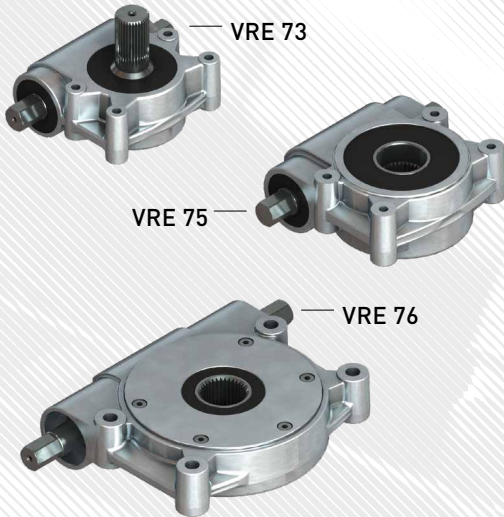


VRE 73, VRE 75, VRE 76 // Worm gear unit

50–250 Nm



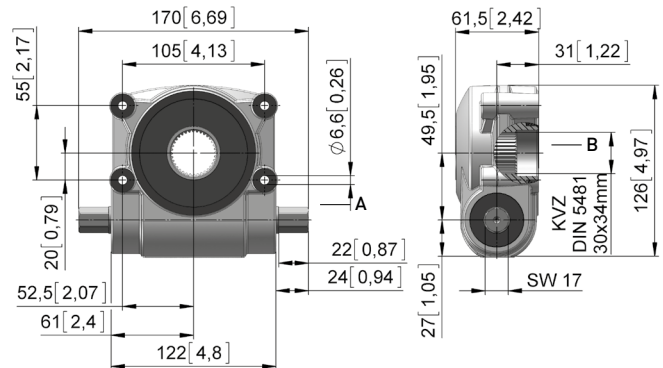
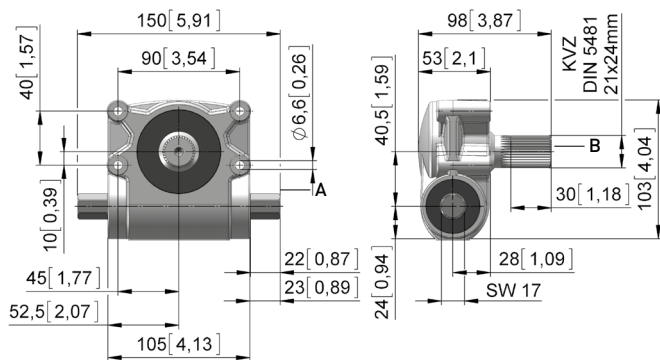
- Extremely robust, self-locking worm gear unit for ultra-precise and very slow actuation of elements, e.g. sun protection panels on facades, adjustment units in mechanical engineering.
- All externally routed gearbox components made of stainless steel, absolutely zero-maintenance.
- Minimal backlash. Quality ball bearing for extremely quiet operation.
- Robust aluminium housing, completely sealed.
- Drive (shaft A) with hex waf 17 and output (shaft B) with precision multi-tooth.

Note:

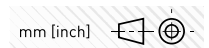
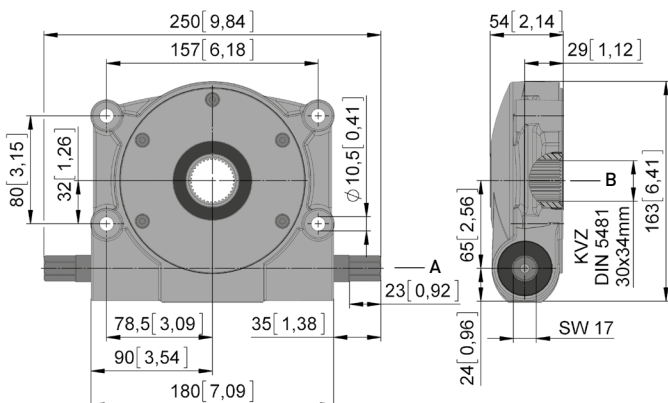
- T dyn. duration: continuous dynamic load-bearing properties.
- T dyn. short: intermittent/short-term dynamic load-bearing properties.
- T static: static load-bearing capacity up to 1200 Nm.

VRE 73

VRE 75



VRE 76



VRE 73, VRE 75, VRE 76

50–250 Nm



VRE 73.0938



VRE 75.1550



VRE 76.2550

Version	Type no.	T _{dyn. duration} [Nm]	T _{dyn. intermit.} [Nm]	T _{stat.} [Nm]	T _{input duration} [Nm]	i	Info	m [kg]
VRE 73.0938	62173.0938.9071	50	90	150	6	38:1	Splined shaft 21 x 24 mm	2,0
VRE 75.1550	62175.1550.9074	120	150	450	10	50:1	Splined hub 30 x 34 mm	2,5
VRE 76.2550	62176.2550.9083	200	250	1200	20	50:1	Splined hub 30 x 34 mm	4,0

Accessories



VRZ 76.9801



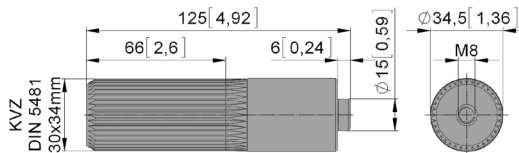
VRZ 76.9802



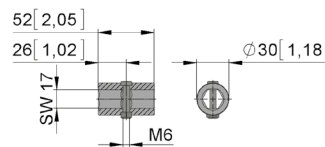
LZZ 46.3314

Version	Type no.	Info	m [kg]
VRZ 76.9801	62176.9801.3402	Journal	0,8
VRZ 76.9802	62176.9802.1701	Coupling	0,2
LZZ 46.3314	87102.3314.20	Coupling	0,1

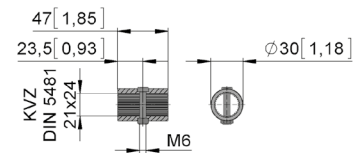
VRZ 76.9801
Journal



VRZ 76.9802
Coupling



LZZ 46.3314
Coupling



mm [inch]