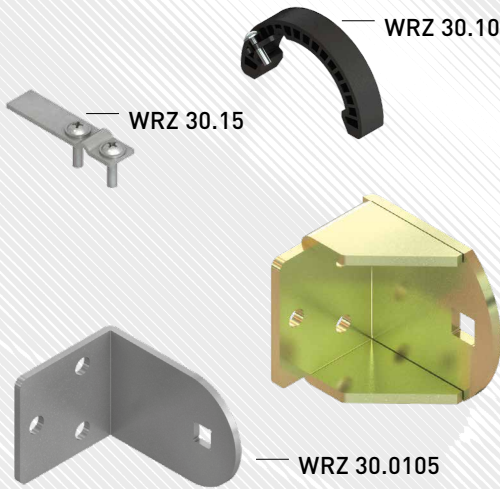
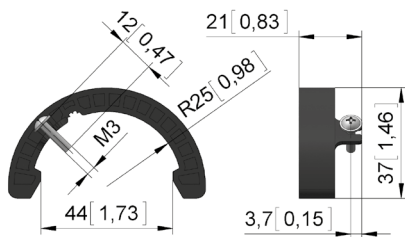


WRZ 30 // Cable clamps EazyVent®, mounting plates RMA

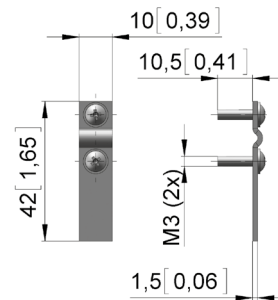


- Cable clamps and mounting plate for use on EazyVent®.
- WRZ 30.1005: Cable clamp in the form of a plastic clip incl. self-cutting screw for ease of assembly on WR0.
- WRZ 30.1505: Cable clamp galvanised, made of steel with two self-tapping screws to secure start and end of cable.
- WRZ 30.0105 and WRZ 30.0112 galvanised mounting plates for tube motor.

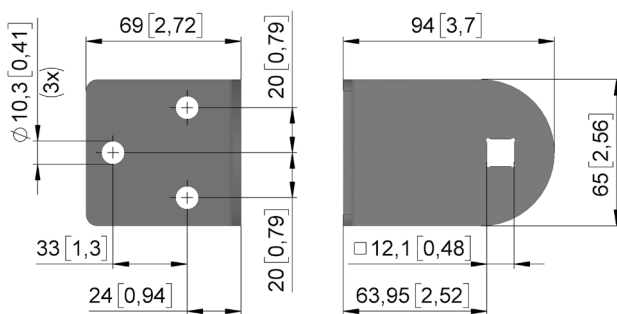
WRZ 30.10



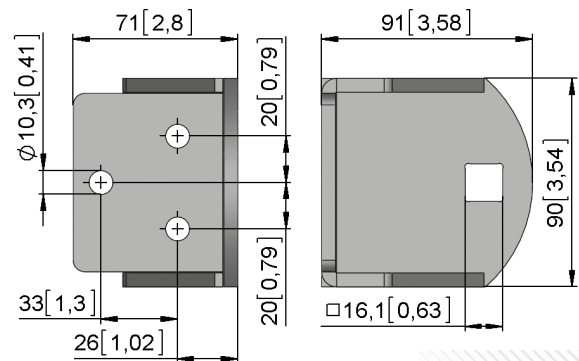
WRZ 30.15



WRZ 30.0105



WRZ 30.0112



mm [inch]

Version	Type no.	Info	m [kg]
WRZ 30.1005	81830.1005	Cable clamp for EazyVent®	0,1
WRZ 30.1505	81830.1505	Cable clamp for EazyVent®	0,1
WRZ 30.0105	81830.0105	Mounting plate for RMA 20.0512	0,3
WRZ 30.0112	81830.0112	Mounting plate for RMA 20.1212	0,8