

ZSG 20 // Rack & pinion units 2500 N



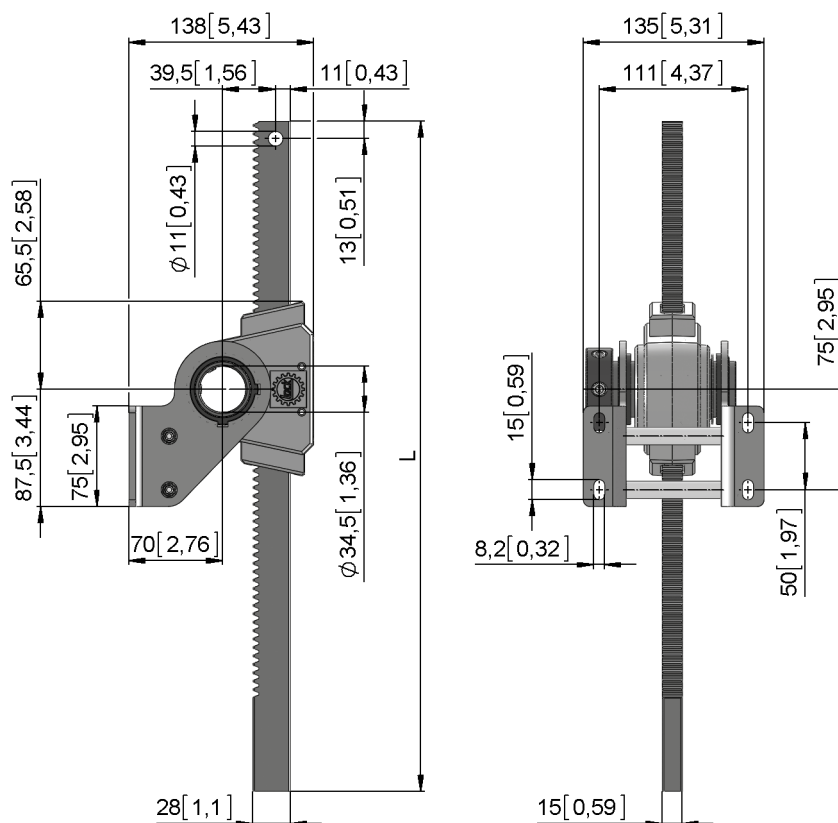
- Rack & pinion units with up to 2500 N traction or compression force with integrated bearing for drive tube. Also available as ZSG 75 with 7500 N.
- Suitable for use in smoke & heat extraction systems. Function and operational integrity levels in the event of a smoke or heat incident subject to individual agreement.
- Perfect synchronization through the mechanical interconnection of several drive elements.
- High power reserves for strong and long-lasting suction and wind loadings.
- Rack and pinion made of hardened steel. Aluminium housing. Rack pivotable through up to 190°.
- Stroke lengths of 600-1800 mm (from stroke length of 1800 mm, note reduced compression force). Special lengths and special consoles on request.
- Rack grease LUB 20 in scope of supply.

Option:

- Window bracket to connect rack to panel on request.

Note:

- Tighten down clamping ring screws to 25 Nm.



ZSG 20 // Gear unit

2500 N



Version	Type no.	F [N]	v [mm/n]	r [mm]	m [kg]
ZSG 20.4200	61404.2542.00	2500	157	25	2,1

ZSZ 20 // Rack

2000–2500 N



Version	Type no.	F [N]	H [mm]	L [mm]	m [kg]
ZSZ 20.4206	61404.2597.06	2500	600	800	2,4
ZSZ 20.4208	61404.2597.08	2500	800	1000	3,0
ZSZ 20.4210	61404.2597.10	2500	1000	1200	3,6
ZSZ 20.4212	61404.2597.12	2500	1200	1400	4,2
ZSZ 20.4214	61404.2597.14	2500	1400	1600	4,8
ZSZ 20.4216	61404.2597.16	2500	1600	1800	5,4
ZSZ 20.4218	61404.2597.18	2000	1800	2000	6,0