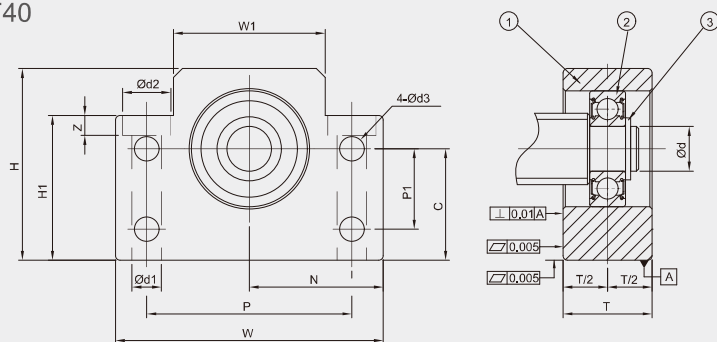


Model No.	Parts No. ①	
	Material	Surface Finish
GBF □□ - SB	S50C	Black Dyed
GBF □□ - SN		Ni-Plating



GBF10 ~ GBF40



Specification

Standard Type	Dimensions											
	Ød	T	W	W1	H	H1	P	P1	Ød1	Ød2	Z	Ød3
GBF10-S □	8	20	60	34	39	32.5	46	15	6.3	10.8	5	5.5
GBF12-S □	10	20	60	34	43	32.5	46	18	6.3	10.8	1.5	5.5
GBF15-S □	15	20	70	40	48	38	54	18	6.3	11	6.5	5.5
GBF17-S □	17	23	86	50	64	55	68	28	8.7	14	8.6	6.6
GBF20-S □	20	26	88	52	60	50	70	22	8.7	14	8.6	6.6
GBF25-S □	25	30	106	64	80	70	85	33	10.7	17.5	11	9
GBF30-S □	30	32	128	76	89	78	102	33	13.7	20	13	11
GBF35-S □	35	32	140	88	95	79	114	35	13.7	20	13	11
GBF40-S □	40	37	160	100	109	90	130	37	17.7	26	17.5	14

Ordering Example	GBF	10	S	N	J
	Model No.	Shaft Dia.	Grade	Surface finish	Bearing category

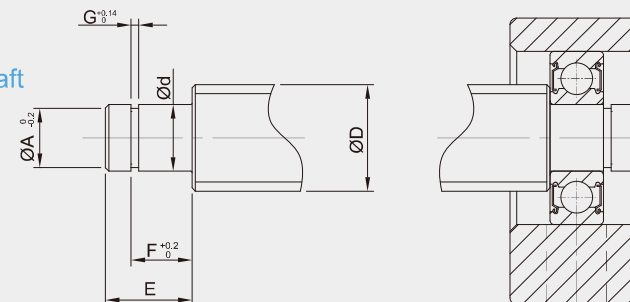


Components

No.	Parts	Material	Q'ty
①	Main housing	S50C	1
②	Bearing	SUJ2	1
③	Snap ring	SWB	1

- Bearing filled with proper lithium soap lubricant maintenance free.
- Bearing with two steel covers in black dyed.
- Bearing with two touch-type plastic covers in Ni-plating.

Recommended Processing Dimensions of Shaft



Unit : mm

		Recommended Processing Dimensions of Shaft						Snap Ring
		Ball Screw Shaft O. D.	Shaft End Diameter	Groove Sizes Machined for Snap Ring				
N=0.02	C=0.02	ØD	Ød	ØA	E	F	G	
30	22	12 / 14 / 15	8 ^{+0.005} _{-0.012}	7.6	10	7.9	0.9	S 08
30	25	14 / 15 / 16	10 ^{+0.005} _{-0.012}	9.6	11	9.15	1.15	S 10
35	28	18 / 20	15 ^{+0.005} _{-0.014}	14.3	13	10.15	1.15	S 15
43	39	20 / 25	17 ^{+0.005} _{-0.015}	16.2	16	13.15	1.15	S 17
44	34	25 / 28 / 30	20 ^{+0.005} _{-0.014}	19	19	13.15	1.35	S 20
53	48	30 / 32 / 36	25 ^{+0.005} _{-0.014}	23.9	20	16.35	1.35	S 25
64	51	36 / 40	30 ^{+0.005} _{-0.015}	28.6	21	17.75	1.75	S 30
70	52	40 / 45	35 ^{+0.005} _{-0.015}	33	22	18.75	1.75	S 35
80	60	50	40 ^{+0.005} _{-0.015}	38	23	19.95	1.95	S 40

- Fixed Side standard type spec please refer to P.0033~P.0034
- Fixed Side economic type spec please refer to P.0041~P.0042