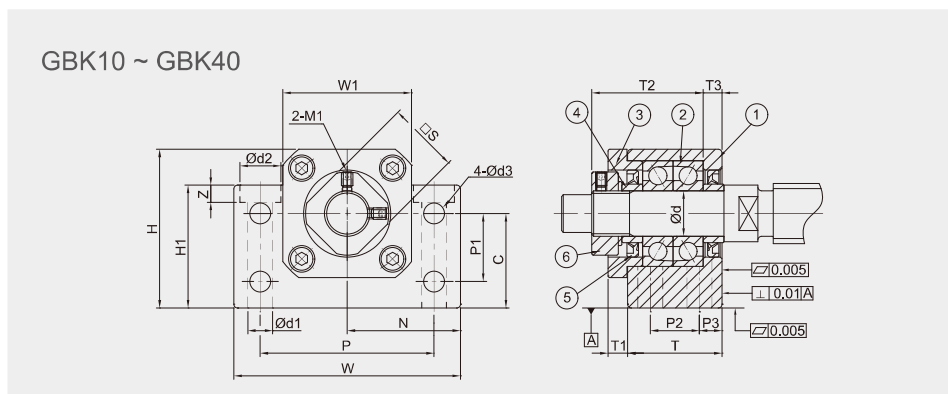


Model No.	Parts No. ① ③ ④ ⑥	
	Material	Surface Finish
GBK □□ - S □ B	S50C	Black Dyed
GBK □□ - S □ N		Ni-Plating



GBK-B



Specification

Standard Type			Dimensions														
Light pre-loaded	Medium pre-loaded	Hard pre-loaded	Ød	T	T1	T2	T3	W	W1	H	H1	N±0.02	C _{0.02}	P	P1	P2	P3
GBK10-SL □	GBK10-SM □	GBK10-SH □	10	25	5	29.5	5	60	34	39	32.5	30	22	46	15	13	6
GBK12-SL □	GBK12-SM □	GBK12-SH □	12	25	5	29.5	5	60	34	42	32.5	30	25	46	18	13	6
GBK15-SL □	GBK15-SM □	GBK15-SH □	15	27	6	32	6	70	38	47	38	35	28	54	18	15	6
GBK17-SL □	GBK17-SM □	GBK17-SH □	17	35	9	44	7	86	48	63	55	43	39	68	28	19	8
GBK20-SL □	GBK20-SM □	GBK20-SH □	20	35	8	43	8	88	50	59	50	44	34	70	22	19	8
GBK25-SL □	GBK25-SM □	GBK25-SH □	25	42	12	54	9	106	62	79	70	53	48	85	33	22	10
GBK30-SL □	GBK30-SM □	GBK30-SH □	30	45	14	61	9	128	74	88	78	64	51	102	33	23	11
GBK35-SL □	GBK35-SM □	GBK35-SH □	35	50	14	67	12	140	86	95	79	70	52	114	35	26	12
GBK40-SL □	GBK40-SM □	GBK40-SH □	40	61	18	76	15	160	98	109	90	80	60	130	37	33	14

Ordering Example	GBK	10	SL	N	J
	Model No.	Shaft Dia.	Grade/Pre-loaded	Surface finish	Bearing category



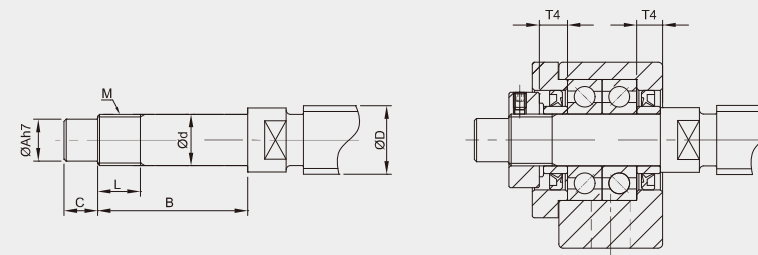
GBK-N

Components

No.	Parts	Material	Q'ty
①	Main housing	S50C	1
②	Bearing	SUJ2	1 pair
③	Cover	S50C	1
④	Space ring	S50C	2
⑤	Seal (<ØØ one seal only)	NBR	2
⑥	Locknut	S50C	1

- ① ② ③ are in one unit. No disassemble for accuracy concern.
- Bearing filled with proper lithium soap lubricant and sealed.

Recommended Processing Dimensions of Shaft



Unit : mm

						Recommended Processing Dimensions of Shaft							
						Ball Screw Shaft O. D.		Shaft End Diameter	Processing Sizes of Shaft			Nominal Thread	
Ød1	Ød2	Z	Ød3	M1	□S	ØD	Ød	ØA	B	C	M	L	T4
6.3	10.5	6.5	5.5	M3	16	12 / 14 / 15	10 ^{+0.005} _{-0.005}	8	36	15	M10*P1.0	16	5.5
6.3	10.5	1.5	5.5	M3	19	14 / 15 / 16	12 ^{+0.005} _{-0.005}	10	36	15	M12*P1.0	14	5.5
6.3	10.5	6.5	5.5	M3	22	18 / 20	15 ^{+0.005} _{-0.005}	12	40	20	M15*P1.0	12	6
8.7	14	8.6	6.6	M4	24	20 / 25	17 ^{+0.005} _{-0.005}	15	53	23	M17*P1.0	17	7
8.7	14	8.5	6.6	M4	30	25 / 28	20 ^{+0.005} _{-0.005}	17	53	25	M20*P1.0	15	8
10.7	17.5	10.8	9	M5	35	32 / 36	25 ^{+0.005} _{-0.005}	20	65	30	M25*P1.5	18	9
13.7	20	13	11	M6	40	36 / 40	30 ^{+0.005} _{-0.005}	25	72	38	M30*P1.5	25	9
13.7	20	13	11	M8	50	45	35 ^{+0.005} _{-0.005}	30	81	45	M35*P1.5	28	12
17.7	26	17.5	14	M8	50	50	40 ^{+0.005} _{-0.005}	35	93	50	M40*P1.5	35	15

• Supported Side spec refer to P.0049~P.0050